



BAIN MARIES

INSTRUCTION FOR INSTALLATION AND USE
DIE GEBRAUCHS UND INSTALLATIONSANWEISUNG
NOTICE D'INSTALLATION ET D'EMPLOI
NÁVOD K OBSLUZE A INSTALACI
INSTRUKCJE MONTAŻU I OBSŁUGI
UPUTSTVO ZA INSTALACIJU I UPOTREBU
GHID DE INSTALARE SI UTILIZARE
ИНСТРУКЦИИ ПО ИСПОЛЬЗОВАНИЮ И УСТАНОВКЕ



BMPK(D) 2120, BMPK(D) 3120, BMPK(D) 4120, BMSK(D) 2120, BMSK(D) 3120,
BMSK(D) 4120, BMPK 2120 CS, BMPK 3120 CS, BMPK 4120 CS, BMPK 2120 CSH,
BMPK 3120 CSH, BMPD 2120 CSH, BMPD 3120 CSH





CONTENT

Declaration of a standards conformity	3
Instruction for use	7
Cleaning and maintenance	8

INHALT



Die Normenübereinstimmungsdeklaration	9
Gebrauchsanweisung	12
Die Reinigung und Instandhaltung	13

CONTENU



Déclaration de conformité	14
Mode d'emploi	18
Nettoyage et entretien	19

OBSAH



Prohlášení o souladu s normami	28
Návod k použití	32
Čistění a údržba	33

TREŚĆ



Oświadczenie o zgodności z normami	34
Instrukcja obsługi	37
Czyszczenie i konserwacja	38

SADRŽAJ



Izjava o saglasnosti Sa normama	48
Uputstvo za upotrebu	52
Čišćenje i održavanje	53

CONȚINUT



Declarație de conformitate cu regulile	58
Ghid de utilizare	62
Curățare și mentenanță	63

СОДЕРЖАНИЕ



Декларация о соответствии стандартам	71
Руководство по эксплуатации	76

DECLARATION OF A STANDARDS CONFORMITY

The producer confirms that the devices agree with 2004/108/ES, 2006/95/ES standards, rule nr. 616/2006 sb., 17/2003 sb. and with relevant government orders. Installation must be done with respect to valid standards. Attention, the producer refuses any responsibility in case of direct or indirect damages which are caused due to wrong installation, incorrect intervention or modification, insufficient maintenance, incorrect use and also possibly caused by other reasons presented by items in sale conditions. This appliance is set only for skilled use and must be operated by qualified persons only. Parts set and secured by the producer or accredited person must not be rebuilt by user.

TECHNICAL DATA

Label with technical data is placed on the back side of the device. Study the electrical diagram of connection and all following information before installation.

MODEL	VOLTAGE (V/Hz)	WATTAGE (W)	DIMENSIONS (CM)
BMPD - 2120	230 / 50	1 400	84,7 x 67,4 x 90
BMPK - 2120	230 / 50	1 400	90,6 x 67,9 x 90
BMPD - 3120	230 / 50	2 100	124,9 x 67,4 x 90
BMPK - 3120	230 / 50	2 100	130,8 x 64,9 x 90
BMPD - 4120	230 / 50	2 800	165,1 x 67,4 x 90
BMPK - 4120	230 / 50	2 800	171 x 64,9 x 90
BMSD - 2120	230 / 50	1 400	79,7 x 59,8 x 90
BMSK - 2120	230 / 50	1 400	79,7 x 59,8 x 90
BMSD - 3120	230 / 50	2 100	119,9 x 59,8 x 90
BMSK - 3120	230 / 50	2 100	119,9 x 59,8 x 90
BMSD - 4120	230 / 50	2 800	160,1 x 59,8 x 90
BMSK - 4120	230 / 50	2 800	160,1 x 59,8 x 90
BMPK - 4120 CS	230 / 50	2 800	170 x 65 x 90
BMPK - 3120 CS	230 / 50	2 100	130 x 65 x 90
BMPK - 2120 CS	230 / 50	1 400	90 x 65 x 90
BMPD - 2120 CSH	230 / 50	2 800	85 x 70 x 90
BMPK - 2120 CSH	230 / 50	2 800	90 x 70 x 85
BMPD - 3120 CSH	230 / 50	3 500	125 x 70 x 90
BMPK - 3120 CSH	230 / 50	3 500	130 x 65 x 90

PACKING AND DEVICE CHECK

The device leaves our stocks properly packed with appropriate symbols and labels. There are also appropriate instructions for use. In case the packing shows bad handling or damage, it must be reclaimed at transporter immediately by writing and signing of a damage protocol.

Important notice:

-This product is only intended for use inside.

Never use the appliance if it has a damaged supply cable or plug, if it is not working correctly, has fallen to the ground and been damaged or fallen into water. In such cases take the appliance to a professional service in order to verify that it is safe and works correctly.

- only for professional use
- this instructing guide must be read properly and carefully because it contains important information about safety elements, installation, use
- these recommendations refer to this product
- this product corresponds with valid standards
- this guide must be properly deposited for future use
- keep the children away from manipulation with the product
- when selling or moving the product to another place it is necessary to make yourself sure that the staff or the professional service has got acquainted with control and installation instructions from enclosed guide
- only authorised person can operate the product
- it can not be switched on without supervision
- we recommend to have the product checked by professional service min. once a year
- only original spare parts can be used for repairs
- the product can not be cleaned by the water jet or pressure shower
- by damage or break down disconnect all the feeders (water, gas, electricity) and call professional service
- producer refuses any responsibility in case of damages caused by wrong installation, by disobeying of above mentioned recommendations or by other use etc.

PLACEMENT

The device must be installed in well ventilated room what is necessary for regulation of the function of the device (technician must go by valid standard (EN....)). If the device is situated close to the wall or if it is in contact with the furniture walls, these walls must resist the temperatures ranging to 90°C. Installation, setting, putting into operation must be done by qualified person who is competent for this and according to the valid standards.

Wrap up the device and check whether it was not damaged during transport. Settle the device on horizontal surface (max imbalance 2°). Settle the device under the fumehood to eliminate water steam and bad smell. The device can be installed separately or in a set with devices of our production. Min. distance 10 cm from other subjects must be kept. It is also necessary to prevent our product from contact with combustible materials. In this case you must make corresponding changes to secure heat isolation of combustible parts. Safety measures from the standpoint of the fire protection according to EN 061008čl. 21:

TECHNICAL INSTRUCTIONS FOR INSTALATION AND REGULATION

Important:

The manufacturer does not provide warranty for defects caused by improper use, failure to instructions contained in the attached instructions for use and mistreatment of the appliances.

Installation, adjustment and repair of appliances for kitchens, as well as their removal because of possible damage to the gas can be carried out only under a maintenance contract, this contract may be signed with an authorized dealer, and must be complied with regulations and technical standards and regulations regarding the installation, power supply, gas connection and health & safety system.

These instructions are intended for the qualified technician who must perform the installation, put it into operation and test the appliance.

Any activity as settings, placement, rebalancing etc, must be made only when is device disconnected from electricity. If it is necessary to have the device connected to the electricity you must keep the highest attention to avoid any injuries.

DEVICE INSTALATION

Instalation, setting, rebuilding for another gas type, putting into operation must be done by qualifi ed person whois competent for this and according to the valid standards. The device can be instalated in good ventilated room. When it is possible place the device under the fumehood to suck off the products of combustion. Air needy to the burning is $2m^3/h/kW$ of the performance of the instaled device. The device can be instalated separately or in a set with devices of our production. Min. distance 10 cm from other subjects must be kept.It is also necessary to prevent our product from contact with combustible materials. In this case you must make corresponding changes to secure heat izolation of combustible parts (for example:place between the device and combustible material azbestos plate).

SAFETY MEASURES FROM THE STANDPOINT OF THE FIRE PROTECTION

ACCORDING TO EN 061008 ČL. 21

- only adults can operate the device
- device must be safely used in common surroundings according to EN 332000-4-462; EN 332000-4-42. You must switch the gas device off under the circumstances leading: to the danger of the temporary rise of the combustion gas or steam or during works when there is a big possibility of rise of the temporary fire danger or explosion (for example: to stick linoleum, PVC etc.).
- before you start to instal the device you must get the licence for connection to the gas feeder from the gasworks
- device must be placed so as to stand or hang on the noncombustible surface which is on each side 10 cm larger than the device. No subjects from combustible materials can be placed directly on the device or in distance which is shorter than safety distance (the shortest distance is 50 cm in the direction of the heat emission and 10 cm in other directions).- safety distances from various materials of different degree of combustion and information about the degree of comb. of common building materials - see chart:

Chart:

Combustion degree of building materials classified according to the combustion degree of materials and products (EN 730823)

A noncombustible	granit, sandstone, concretes,bricks, ceramic wallfacing tiles, plaster
B uneasily combustible	akumine, heraklite, lihnos, itavere
C1 hardly combustible	leafy wood, plywood, sirkoklit, rare paper formica
C2 middle combustible	fibreboards, solodure, cork boards, rubber,floor-coverings
C3 easily combustible	wood-fibreboards, polystyrene,polyurethane, PVC

Devices must be instalated in a safe way. When instaling you must respect corresponding project, safety and hygienic orders according to:

- EN 061008 fire protection of local devices and sources of heat
- EN 332000 (33 2000-4-482; 33 2000-4-42) surrounding for electric devices ČSN EN 1775 Gas supplying
- Gas fittings in the buildings - the highest operational pressure < 5 bar - operation demands
- § 10 law nr. 185/2001 Sb. about waste

CONNECTION OF THE ELECTRIC CABLE TO THE ELECTRICITY

Instalation of electric feeder - This feeder must be separetely protected by a safety fuse according to the specific electric stream which depends on the wattage of the instaled device. Check the wattage on the label at the back of the device. Connect the device directly to the electricity but you must put the switch between the device and electric net. The switch must be placed in min. distance 3 mm between the particular contacts according to the standards and loading. The feeder of grounding (yellow-green) cannot be interrupted by this switch. In every case feeding cable must be placed so that no point of the cable will reach the temperature which is 50°C higher than the temperature of the surrounding. Before connecting the device check that:

- safety fuse of the feeder and inner mains can stand the loading of the device (see label of the matrix)
- mains are equipped with effective grounding according to standards (ČSN) and conditions given by law
- socket or switch of the feed is well accessible from device

We refuse any responsibility in case of not respecting above mentioned rules. Before the first use it is necessary to remove all the protection foil and to clean the device - see chapter „cleaning and maintenance“.

Maintenance: We recommend to have the device checked once a year by the proffesional service. Only qualified or competent persons can do interventions in the product.

 -Do not insert the power cable plug into the el. socket and do not pull it out of the

INSTRUCTION FOR USE

Attention! Before the first use of the device you must wash the device with cleaning cloth dipped in the water with detergent. Than wipe it with moist cleaning cloth dipped in clean water.

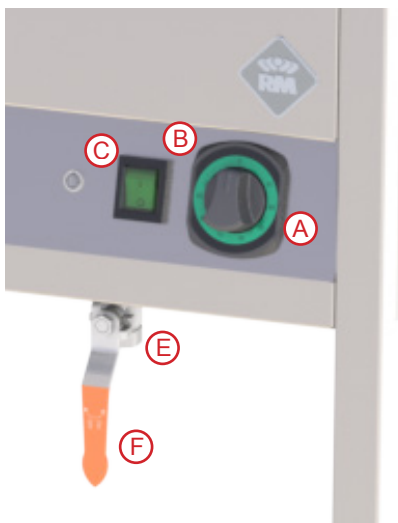
Fill the device with water to the high of max 2 cm. Switch on with main switch (B) turn the knob (A) from the position „0“ to required position between 30°C - 90°C. Pilot lamp indicates that the device in on. Pilot lamp (C) lights when thermo spirals are on. Pilot lamp (D) goes out when the device reaches required temperature.

Switch the device off by turning the knob (A) into position „0“ and switch over the switch (B) into position switched off. Check the level of the water, never use the device without water. Use the device under supervision. The device must be fully occupied with the gastrobowls. If the bains are not fully occupied with the gastro bowls, you must cover the empty spaces with the gastro covers to prevent escape of the warm and water steam. In each models there is separate handling for each bain. If you do not use the device for longer time remove the main cabel (D) from the electricity net and give this in the side-hole on the panel of the device. If you place the moving models it is necessary to brake their wheels. By standing models, you must fix them with regulation legs.

- safety fuse of the feeder and inner mains can stand the loading of the device (see label of the matrix)
- mains are equipped with effective grounding according to standards (ČSN) and conditions given by law
- socket or switch of the feed is well accessible from device

We refuse any responsibility in case of not respecting above mentioned rules. Before the first use it is necessary to remove all the protection foil and to clean the device - see chapter „cleaning and maintenance“.

Maintenance: We recommend to have the device checked once a year by the proffesional service. Only qualified or competent persons can do interventions in the product.



- (A) REGULATION KNOB
- (B) MAIN SWITCH
- (C) LED
- (E) OUTLET VALVE
- (F) VALVE LEVER

DISCHARGING OF THE BATH

Discharge the bath when the water is cold and the device is disconnected from the electricity. User must have convenient bowl for discharging the bath. This bowl must be made from heat-resistant material. Put the bowl in the safe place to prevent discharging water from splashing. Splashing can cause the danger. Put on the discharging pipe, open the safety catch by turning it up and turn the lever into position marked as opening of the cock. Discharge the bath only when the water is cold.

CLEANING AND MAINTENANCE

It is recommended to have the device checked by the professional service min. once a year. All interventions must be done by qualified person who is competent for this.

ATTENTION!

The device cannot be cleaned by direct or pressure water. Clean it daily. Daily maintenance keeps longer useful life and efficiency of the device. Before cleaning make sure to have disconnected the device from electricity. Always switch off the main feeder to the device. Stain-less parts wash with moist cleaning cloth and detergent without groove parts than wash it with clean water and dry it by the cloth. Do not use abrasive and corrosive detergents.

WHAT TO DO IN CASE OF BREAK-DOWN

Switch off the electric feeder and call seller's professional service.

INDICATION:

Guarentee does not cover all consumption parts succumable to common wear (rubber seals, bulbs, glas and plastic parts etc.). The guarantee does not refer to the devices which were not instaled in correspondance with instructions - by qualified worker, in confirmity with standards and when somebody handled incompetently the device (interventions into inner equipment) or the device was operated by nonqualified staff or at variance with instructions for use. Guarantee does not also cover the damages caused due to influence of nature or other outer intervention.

Point for cleaning steel-alloy plate:

- Heat up the device
- Turn of the device
- The plate pull off with scraper
- Apply water to chemistry (RM gril) and clean the plate from residual dirt and sediment
- Apply pure water (The solution is with vinegar or lemon)
- Pull off the water and than to dry the plate with rag
- Turn on the device up to 70 °C and from the plate let evaporate residual humidity
- To smear the grill areas with vegetable oil

Point for cleaning chrome plate:

- Heat up the device
- Turn of the device
- The plate pull off with plastic scraper
- Apply water with a saponate and clean the plate with a sponge
- Apply pure water
- Pull off the water and than to dry the plate with rag
- Turn on the device up to 70 °C and from the plate let evaporate residual humidity

DIE NORMENÜBEREINSTIMMUNGSDEKLARATION

Der Produzent erklärt, daß die Geräte in einer Übereinstimmung mit den Vorschriften der 2016/426/EU, 2014/35/EU, 2014/30/EU dem Gesetz Nr. 22/1997 sb., 258/2000 sb., 38/2001 sb., 118/2016 sb., 117/2016 sb. der Sammlung und zugehörigen Regierungsverordnungen stehen. Die Installation muss mit der Absicht auf geltende Normen durchgeführt werden. Vorsicht, im Falle einer direkten oder indirekten Beschädigung, die sich auf falsche Installation, unrichtigen Eingriff oder Anpassungen, ungenügende Instandhaltung, unrichtige Verwendung beziehen, und welche eventuell durch andere Ursachen, als in Punkten der Verkaufsbedingungen angeführt ist, so verzichtet der Importeur auf jegliche Verantwortung. Dieses Gerät ist nur für fachliche Verwendung bestimmt und muß durch qualifizierte Person bedient werden. Teile, die nach der Einstellung durch den Hersteller oder durch befugte Person gesichert wurden, dürfen vom Benutzer

DIE TECHNISCHEN DATEN

DIE TECHNISCHEN DATEN

Das Schild mit technischen Angaben ist auf der Rückseite des Gerätes angebracht. Studieren sie vor der Installation das elektrische Schema der Einschließung und alle folgende Informationen durch.

MODEL	SPANNUNG (V/HZ)	ANSCHLUSSWERT (W)	ABMESSUNG (CM)
BMPD - 2120	230 / 50	1 400	84,7 x 67,4 x 90
BMPK - 2120	230 / 50	1 400	90,6 x 67,9 x 90
BMPD - 3120	230 / 50	2 100	124,9 x 67,4 x 90
BMPK - 3120	230 / 50	2 100	130,8 x 64,9 x 90
BMPD - 4120	230 / 50	2 800	165,1 x 67,4 x 90
BMPK - 4120	230 / 50	2 800	171 x 64,9 x 90
BMSD - 2120	230 / 50	1 400	79,7 x 59,8 x 90
BMSK - 2120	230 / 50	1 400	79,7 x 59,8 x 90
BMSD - 3120	230 / 50	2 100	119,9 x 59,8 x 90
BMSK - 3120	230 / 50	2 100	119,9 x 59,8 x 90
BMSD - 4120	230 / 50	2 800	160,1 x 59,8 x 90
BMSK - 4120	230 / 50	2 800	160,1 x 59,8 x 90
BMPK - 4120 CS	230 / 50	2 800	170 x 65 x 90
BMPK - 3120 CS	230 / 50	2 100	130 x 65 x 90
BMPK - 2120 CS	230 / 50	1 400	90 x 65 x 90
BMPD - 2120 CSH	230 / 50	2 800	85 x 70 x 90
BMPK - 2120 CSH	230 / 50	2 800	90 x 70 x 85
BMPD - 3120 CSH	230 / 50	3 500	125 x 70 x 90
BMPK - 3120 CSH	230 / 50	3 500	130 x 65 x 90

DIE VERPACKUNGS-, UND VORRICHTUNGSKONTROLLE

Die Vorrichtung verlässt unsere Lager in ordentlicher Verpackung, auf deren die entsprechenden Symbole und Bezeichnungen stehen. In der Verpackung befindet sich entsprechende Bedienungsanweisung. Falls die Verpackung eine schlechte Behandlung oder Anzeichen der Beschädigungen vorweist, muß dieses sofort beim Transporteur reklamiert werden und zwar durch Unterzeichnung eines Schadensprotokolles.

Wichtige Hinweise

-Das Erzeugnis ist nur zur Verwendung im Innenraum bestimmt.

Verwenden Sie den Verbraucher nie, wenn die Speisezuleitung oder der Stecker beschädigt sind, das Gerät nicht richtig arbeitet, ist auf den Boden gefallen und hat sich beschädigt oder ist ins Wasser gefallen. Bringen Sie in solchen Fällen den Verbraucher zu einem Fach-Kundendienst zur Überprüfung seiner Sicherheit und richtiger Funktion.

- Nur für professionellen Verbrauch geeignet
- Diese Bedienungsanleitung muss ordentlich und bedächtig gelesen werden, weil sie wichtige Informationen über Sicherheitsmerkmale, Installation und Anwendung beinhaltet
- Diese Empfehlungen beziehen auf diesen Produkt
- Der Produkt entspricht geltenden Normen
- Diese Anleitung muß ordentlich für die zukünftige Verwendung hinterlegt werden
- Hindern Sie den Kinder an Vorrichtungsm Manipulation
- Beim Verkauf oder Verlegung ist es notwendig sich zu überzeugen, daß die Bedienstperson oder Fachservis sich mit der Beherrschung und Installationsanweisung in beiliegender Anleitung, anvertraut gemacht haben.
- Das Produkt darf nur eingeschulte Bedienung bedienen
- Das Produkt darf nicht ohne Aufsicht ins Betrieb gesetzt sein
- Es ist empfohlen, minimal einmal pro Jahr eine Fachkontrolle durchführen zu lassen
- Bei eventueller Reparatur der Teilenumtauschungen müssen ausschließlich Originalteile angewendet werden
- Das Produkt darf nicht durch einen Wasserstrahl oder Druckbrause gereinigt werden
- Schalten Sie alle Leitungen (Wasser, Elektrizität, Gas) bei einer Störung oder beim schlechten Lauf aus und rufen Sie autorisierten Service an
- Der Hersteller verzichtet auf jegliche Verantwortung bei Störungen, die durch fehlerhafte Installation,

DIE PLATZIERUNG

Es ist unbedingt notwendig, zu der Regulation der Gerätetätigkeit, daß das Milieu - der Küche -, wo das Gerät installiert wird, sehr gut belüftbar ist (im Hinblick darauf: sei der Techniker sich mit geltenden Normen (EN) richtet). Wenn die Einrichtung so plaziert wird, daß sie im Mobiliarwandkontakt stehen wird, so müssen diese einer Temperatur von 90°C widerstehen. Die Installation, Herrichtung, Inbetriebnahme müssen durch qualifizierte Person, die zu solchen Vorkehrungen eine Befugnis hat und dies laut geltenden Normen nach, durchgeführt werden.

Packen Sie das Gerät aus und kontrollieren Sie , ob sich das Gerät während des Transportes nicht beschädigt hat. Platzieren Sie das Gerät auf eine waagrechte Fläche (maximale Unebenheit bis 2°). Stellen Sie das Gerät unter den Haubenabzug, damit Sie die Wasserdämpfe und den Geruch eliminieren. Das Gerät kann selbständig oder in einer Reihe mit Geräten unserer Herrstellung installiert werden. Es ist notwendig die minimale Entfernung von 10 cm zu anderen Gegenständen einzuhalten, so dass die Wärmeisolierung der brennbaren Teilen gewährleistet wird.

Das Gerät kann selbständig oder in einer Reihe mit Geräten unserer Herrstellung installiert werden. Es ist notwendig die minimale Entfernung von 10 cm zu anderen Gegenständen einzuhalten, so dass die Wärmeisolierung der brennbaren Teilen gewährleistet wird.

TECHNISCHE HINWEISE ZUR INSTALLATION UND REGELUNG

Wichtig:

Zur Benützung AUSSCHLIEßLICH nur für spezialisierte Techniker

Instruktionen, die folgen, wenden sich an den Techniker, der für die Installation qualifi ziert ist, damit er alle Operationen mit der korrektesten Weise und laut der gültigen Normen durchführt.

Wichtig

Jeweils irgendeine Tätigkeit, die mit der Regulation verbunden ist u.ä, muß nur mit der aus dem Netz ausgezogenen und abgeschalteten Einrichtung vollgezogen sein.

Solange das Gerät unter der Spannung notwendig zu halten ist, eine höchste Vorsicht zu beachten vorliegt.

DIE SICHERHEITSVORRICHTUNGEN AUS DER SICHT DES FEUERSCHUTZES LAUT EN. 061008 ČL. 21

Die Einrichtungsbedienung dürfen nur Erwachsene ausführen

- Das Gerät darf sicher in gewöhnlicher Umgebung laut EN 332000-4-482; EN 332000-4-42 verwendet werden.
- Es ist notwendig das Gerät so platzieren, daß es auf einer unbrennbaren Grundlage steht oder hängt.
- Es dürfen, auf und in eine Entfernung, die kleineremase als sicher vom Gerät bezeichnet wird, keine Gegenstände aus brennbaren Materilien (die kleinste Entfernung vom Brennbarem ist 10 cm) aufgestellt werden.
- Die sicheren Entfernungen von Massen der einzelnen Brenngra

Tabelle:

Baumassefeuerbrenngrad ins Brenngrad (EN) der Massen und Produkte eingegliedert

A	Unbrennbar	Granit, Sandstein, beton, Ziegel, Keramikbekleidung, Putz
B	nicht einfach brennbar	Akumin, Heraklit, Lihnos, Itaver
C1	schwer brennbar	Holz, Laubbaum, Furnier Sirkoklit, Festpapier, Umakart
C2	mittel brennbar	Holzspanplatten, Solodur, Korkplatten, Hartgummi, Bodenbeläge
C3	leicht brennbar	Holzfasernplatten, Polystyren, Polyureten, PVC

Die Bedarfsartikel müssen sicher installiert werden und sind mit regulierenbaren Beinchen - zur Ausgleichen der Höhe und der Unebenheiten eingestattet.

Die Geräte müssen in einer sicheren Weise installiert werden. Bei der Installation müssen weiter betreffende Projekt-, Sicherheits-, und Hygienevorschriften respektiert werden.

- EN 06 1008 Feuerschutz der örtlichen Geräte und der Wärmquellen
- EN 33 2000 (33 2000-4-482; 33 2000-4-42) Umgebung für elektrische Geräte
- Gasversorgung -Gasleitunge in Gebäuden - Höchste Verkehrsdruck ≤ 5 BarVerkehrsansprüche,
- § 10 des Gesetzes Nr.185/2001 Sb., der Abfälle betrifft.

DER ELEKTRISCHE KABELNETZANSCHLUSS

Die Installation der elektrischen Ankupplung - Diese Zuleitung muß selbstständig gesichert werden. Und das durch entsprechende Sicherung des Nennstromes in der Abhängigkeit am Anschlußwert des installierten Gerätes. Kontrollieren sie den Anschlußwert des Apparates auf dem Produktionsschild im Hinterteil des Gerätes. Schließen Sie das Gerät direkt ans Netz an.

Es ist unbedingt notwendig zwischen das Gerät und das Netz einen Schalter zu legen, der eine minimale Entfernung von 3mm unter den Einzelkontakten aufweist und der auch den geltenden Normen und Belastungen entspricht. Die Erdungszuleitung (gelbgrün) darf nicht durch diesen Schalter unterbrochen sein.

Der Zuleitungskabel muß in jedem Fall so angebracht sein, dass er in keinem Punkt einer um 50°C höherer Temperatur als Umgebungstemperatur nicht erreicht. Eher das Gerät ans Netz angeschlossen wird, versichern Sie sich, dass:

- die Zuleitungssicherung und die Innenscheidung die Einrichtungsbelastung ertragen (siehe Matriceschild),
- die Verteilung mit wirksamer Erdung laut Normen (EN) und Gesetzbedingungen ausgestattet ist

WIR VERZICHTEN AUF JEGLICHE VERANTWORTUNG IM FALLE, DASS DIESE NORMEN NICHT RESPEKTIERT WERDEN UND IM FALLE DER NICHEINHALTUNG DER OBENERWÄHNTER GRUNDSÄTZE.

Es ist notwendig die Schutzfolie vor der ersten Benützung zu beseitigen, sowie das Gerät zu reinigen siehe das Kapitel „Reinigung und Instandhaltung“.



-Führen Sie den Stecker der Speisezuleitung in die el. Steckdose und ziehen ihn aus der el. Steckdose mit nassen Händen und durch Ziehen der Speisezuleitung nicht!

-Verwenden Sie keine Verlängerungskabel oder Kombisteckdosen.

GEBRAUCHSANWEISUNG:

Vorsicht!

Bevor Sie das Gerät benutzen beginnen, ist es wichtig das Gerät gut mit Wasser und Waschmittel waschen und dann mit weichem Tuch abreiben.

Füllen Sie das Gerät mit Wasser bis Höhe von max 2 cm. Schalten Sie den Hauptschalter (B) ein, drehen Sie den Regler (A) aus der Position „0“ in den von Ihnen geforderten Wert im Bereich von 30°C - 90°C. Der Betrieb signalisiert die Kontrolllampe im Schalter. Die Kontrolllampe (C) leuchtet, wenn die Wärmespiralen im Betrieb sind. Die Kontrolllampe (C) löscht, wenn das Gerät die eingestellte Temperatur erreicht.

Das Gerät schalten Sie aus, wenn Sie den Regler (A) in die Position „0“ versetzen und den Hauptschalter (B) ausschalten. Der Wasserspiegel ist ständig zu überprüfen. Das Gerät darf niemals ohne Wasser benutzt werden. Das Gerät muß immer unter Aufsicht sein und voll mit Gastrogefäßen besetzt sein. Wenn die einzigen Wannen nicht voll mit Gastrogefäßen besetzt sind, muss man die freie Plätze mit Deckungen zur Gastrogefäßen decken, um Wasser- und Dampf-fluchten zu verhindern. In einzeln Modellen hat jede Wanne selbstständige Beherrschung. Bei längerer Abstellung schalten Sie den Hauptkabel (D) aus der Netz aus und legen Sie ihn zur Ablegeloche in Panel von Bade Marie.

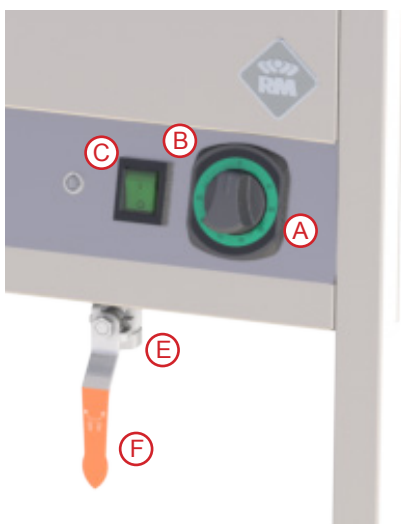
Bei Plazierung den fahrbaren Modellen muss man die Rollen bremsen. Bei ständigen Modellen ist es wichtig das Gerät mit stellbaren Beinchen ausgleichen.

AUSLASSEN DER WANNE

Das Wasser muß aus der Wanne kühl ausgegossen werden und das Gerät darf nicht elektrisch angeknüpft sein. Man muß ein angemessener Wasserbehälter fürs Wasser aus dem Gerät besorgen. Dieser Behälter muß aus einem wärmebeständigen Werkstoff bestehen und muß so stehen, daß das Wasser nicht verspritzt und gefährlich sein kann. Der Öffnungshebel stehen Sie in Position offen und damit lassen Sie das Wasser aus. Lassen Sie die Wanne aus, wenn das Wasser kühl ist.

Bemerkunge und Empfehlunge

Benützen Sie das Gerär nur unter ständigen Aufsicht.



- (A) REGULATION KNOB
- (B) MAIN SWITCH
- (C) LED
- (E) OUTLET VALVE
- (F) VALVE LEVER

DIE REINIGUNG UND INSTANDSHALTUNG

ACHTUNG! Die Einrichtung darf nicht mit Direkt-, oder Druckwasserstrahl gereinigt werden. Reinigen Sie das Gerät täglich. Die Lebensdauer und Gerätewirkung wird durch die tägliche Wartung gewährleistet. Überzeugen Sie sich, vorm Reinigungsanfang, dass Sie die Einrichtung vom Elektrostrom abgeschaltet haben. Schalten Sie immer die Gerätehauptzufuhr ab. Waschen Sie die Edelstahlteile mit feuchtem Waschlappen, der im Waschpulver getauft ist und keine grobe Teilchen aufweist. Wischen Sie alles ins Trockene ab. Verwenden Sie keine abrasive- oder korrosionsreiche Reinigungsmitteln.

WIE MAN IM FALLE EINER STÖRUNG VORANGEHEN SOLL

Schalten sie die elektrische Stromleitung ab und rufen die Serviceorganisation des Verkäufers an.

HINWEIS

Die Garantie bezieht sich nicht auf alle Verbrauchsteile, die der geläufiger Abnutzung unterstehen (gesamte Gummidichtungen, Glühlampen, alle glasemde und plastische Teile, usw.). Die Garantie bezieht sich nicht weiterhin auf Einrichtungen, die durch befugte Person laut Anweisung und entsprechender Normen nicht installiert worden sind und wenn mit dem Gerät unfachmännisch manipuliert wurde (Eingriffe ins Innere) und auf Beschädigungen durch Natureinflüsse oder Ausseneingriffe.

Wie man eine Stahlgrillplatte pflegen soll:

- die Grillplatte einheizen
- Abschalten
- mit einem Spachtel oder Schaber reinigen
- Wasser mit Reinigungsmittel /z.B. RM Grillreiniger/ auf die Platte eingiessen, Schmutze und Schämme ordentlich entfernen
- Rein Wasser auf die Grillplatte eingiessen, passend ist auch eine Essig- oder Zitronenlösung
- Rest des Wassers abwischen und die Platte mit dem Tuch abtrocknen
- restliche Nässe abdampfen lassen
- die Grillplatte mit Pflanzenoil aufstreichen

Wie man eine verchromte Grillplatte pflegen soll:

- die Grillplatte einheizen
- abschalten
- Mit einem Kunststoffspachtel oder Schaber reinigen
- Wasser mit Reinigungsmittel auf die Platte eingiessen, Schmutze und Schämme mit einem Schwamm entfernen
- Rein Wasser auf die Grillplatte eingiessen
- Rest des Wassers abwischen und die Platte mit dem Tuch abtrocknen
- Restliche Nässe abdampfen lassen

DÉCLARATION DE CONFORMITÉ

Le fabricant certifie la conformité des appareils aux normes 2004/108/ES, 2006/95/ES, 2006/95/ES à la loi n° 616/2006 sb., 17/2003 sb. et aux décrets applicables. L'installation doit être effectuée dans le respect des normes en vigueur. Attention: le fabricant décline toute responsabilité en cas de dommages, directs ou indirects, causés par une mauvaise installation, par une utilisation, des interventions ou des modifications impropres, par un entretien insuffisant, ainsi qu'en cas de dommages dérivant des causes mentionnées dans les conditions de vente. L'appareil objet de la présente notice est prévu pour un usage professionnel, aussi son utilisation doit-elle être confiée à un personnel possédant les compétences nécessaires à cet effet. L'utilisateur ne doit procéder à aucune intervention ni à aucune modification sur les parties réglées et protégées par le fabricant ou autre personnel autorisé à cet effet.

CARACTÉRISTIQUES TECHNIQUES

L'étiquette sur laquelle figurent les caractéristiques techniques est apposée sur la partie postérieure de l'appareil. Avant de procéder à l'installation, prendre connaissance du schéma électrique et de toutes les informations que contient la présente notice.

BMPK - 2120	230 / 50	1 400	90,6 x 67,9 x 90
BMPD - 3120	230 / 50	2 100	124,9 x 67,4 x 90
BMPK - 3120	230 / 50	2 100	130,8 x 64,9 x 90
BMPD - 4120	230 / 50	2 800	165,1 x 67,4 x 90
BMPK - 4120	230 / 50	2 800	171 x 64,9 x 90
BMSD - 2120	230 / 50	1 400	79,7 x 59,8 x 90
BMSK - 2120	230 / 50	1 400	79,7 x 59,8 x 90
BMSD - 3120	230 / 50	2 100	119,9 x 59,8 x 90
BMSK - 3120	230 / 50	2 100	119,9 x 59,8 x 90
BMSD - 4120	230 / 50	2 800	160,1 x 59,8 x 90
BMSK - 4120	230 / 50	2 800	160,1 x 59,8 x 90
BMPK - 4120 CS	230 / 50	2 800	170 x 65 x 90
BMPK - 3120 CS	230 / 50	2 100	130 x 65 x 90
BMPK - 2120 CS	230 / 50	1 400	90 x 65 x 90
BMPD - 2120 CSH	230 / 50	2 800	85 x 70 x 90
BMPK - 2120 CSH	230 / 50	2 800	90 x 70 x 85
BMPD - 3120 CSH	230 / 50	3 500	125 x 70 x 90
BMPK - 3120 CSH	230 / 50	3 500	130 x 65 x 90

CONTROLE DE L'EMBALLAGE ET DE L'APPAREIL

En vue de son transport, l'appareil quitte les établissements du fabricant parfaitement emballé (sur l'emballage sont apposés les étiquettes et les symboles nécessaires à cet effet). L'emballage contient également la notice des instructions d'utilisation. Dans le cas où l'emballage présenterait des dommages ainsi que dans le cas où il s'avérerait qu'il a été manipulé sans les précautions nécessaires, il est impératif d'adresser sans attendre une déclaration au transporteur en y joignant une acceptation de la marchandise sous réserve.

Recommandation importante:

-Le produit est destiné uniquement à un usage intérieur.

N'utilisez jamais cet appareil si le cordon ou la fiche sont endommagés, si l'appareil fait défaut, s'il a été échappé ou endommagé ou immergé. Dans ce cas, retournez cet appareil au centre service autorisé pour examen.

- Pour usage professionnel seulement
- La présente notice des instructions d'utilisation et d'entretien contient d'importantes informations relatives à la sécurité, à l'installation et à l'utilisation; il est nécessaire d'en effectuer attentivement la lecture.
- Les recommandations se réfèrent à l'appareil objet de la présente notice.
- L'appareil est conforme aux normes en vigueur.
- Veiller à bien conserver la notice de telle sorte qu'elle puisse être consultée à tout moment en cas de besoin.
- Ne pas laisser des enfants s'approcher de l'appareil durant son utilisation.
- Pendant la vente ou après le déménagement de l'appareil vérifier que le personnel lise attentivement la présente notice d'utilisation
- L'appareil ne peut être utilisé que par le personnel instruit
- L'appareil ne peut être laissé en marche sans surveillance
- Il est recommandé de faire l'appareil contrôler au moins une fois par an dans un service spécialisé
- Ne pas utiliser que des pièces détachées originelles.
- En cas de défaut ou de mauvaise fonction, débrancher l'appareil (eau, gaz, électricité) et appeler un service spécialisé
- Le fabricant décline toute responsabilité en cas de dommages, directs ou indirects, causés par une mauvaise installation, utilisation, etc

LA LOCATION

Le local dans lequel l'appareil est installé doit être bien ventilé. Si l'appareil doit toucher le parois, celui-ci doit résister à la chaleur de 90°C au minimum. L'installation, le réglage et la mise en marche doivent être effectués par une personne qualifiée ayant une autorisation nécessaire selon les normes en vigueur.

Déballer l'appareil et vérifiez s'il n'était pas endommagé pendant le transport. Placez l'appareil sur une surface horizontale (pente maximale de 2°). Placez l'appareil sous une hotte pour éliminer la vapeur et mauvaise odeur.

L'appareil peut être installé seul ou en série avec d'autres appareils de notre fabrication. Il faut respecter la distance minimale de 10 cm entre l'appareil et d'autres objets ainsi qu'éviter le contact avec les matériaux inflammables. Dans ce cas il faut prévoir les arrangements nécessaires pour assurer la protection des parties inflammables.

INSTRUCTIONS TECHNIQUES POUR INSTALLATION ET REGLEMENT

Important:

Le fabricant ne fournit pas de garantie pour les défauts causés par l'usage, tout manquement impropre aux instructions contenues dans les instructions ci-jointes pour l'utilisation et aux mauvais traitements des appareils.

Installation, réglage et réparation d'appareils pour les cuisines, ainsi que leur élimination en raison de dommages possibles au gaz peut être effectuée qu'en vertu d'un contrat de maintenance, ce contrat peut être signé avec un distributeur agréé, et doivent être conformes à la réglementation technique et normes et réglementations concernant l'installation, l'alimentation, de raccordement de gaz et de la santé et la sécurité du système.

Ces instructions sont destinées au technicien qualifié qui doit effectuer l'installation, le mettre en marche et tester l'appareil.

Toute activité en tant que paramètres, le placement, le rééquilibrage etc, doit être faite que lorsqu'il est périphérique déconnecté de l'électricité. Si il est nécessaire d'avoir le périphérique connecté à l'électricité, vous devez garder la plus grande attention afin d'éviter toute blessure.

MÉSURES DE SÉCURITÉ POUR LA PROTECTION CONTRE INCENDIE SELON EN 06 1008

ARTICLE 21:

- l'appareil ne peut être utilisé que par des personnes majeures
- l'appareil peut être utilisé dans un espace ordinaire selon EN 332000-4-482; 332000-4-42
- l'appareil doit être placé ou suspendu d'une manière stable sur une surface ininflammable

Il est interdit de placer sur l'appareil ou dans la distance inférieure à 10 cm de l'appareil des objets inflammables.

- les distances de sécurité pour les matériaux inflammables selon leurs degré d'inflammabilité et les informations sur l'inflammabilité des matériaux de construction – voir le tableau

Tableau:

degré d'inflammabilité d'un matériel de construction (EN 730823)

A ininflammables	granit, grès, béton, briques, carrelage céramique, enduit
B difficilement inflammables	acumin, héraclite, lihnos, itaver
C1 mal inflammables	bois des arbres feuillus, contre-plaqué, papier durci, umakart
C2 inflammabilité moyenne	aggloméré, solodur, liège, caoutchouc, revêtements
C3 inflammabilité facile	planches de fibre de bois, polystyrène, polyurethane, PVC

L'appareil doit être installé d'une manière sûre. Pour l'ajustage de l'appareil est ce-ci procuré des pieds réglables.

- EN 06 1008 protection contre incendie des consommateurs d'énergie locaux et des émetteurs de chaleur
- EN 33 2000 (33 2000-4-482; 33 2000-4-42) le milieu pour les appareil électriques

BRANCHEMENT ÉLECTRIQUE

Installation de prise de courant – La prise de courant doit avoir un coupe-circuit indépendant en dépendance de puissance fournie de l'appareil. Vérifiez la puissance de l'appareil sur la plaque des caractéristiques techniques.

Branchez l'appareil directement au réseau, il faut mettre un interrupteur entre le réseau et l'appareil, son ouverture de contacts étant 3 mm au minimum. Câble de terre (vert-jaune) ne peut pas être interrompu par cet interrupteur. En tout cas, le câble de prise de courant doit être placé de telle manière que sa température ne dépasse jamais la température du milieu de plus que 50°C. Avant le branchement au réseau, s'assurer que :

- le coupe-circuit et distribution intérieure peuvent endurer la charge de l'appareil (voir la plaque)
- la mise à la terre fonctionne selon les normes en vigueur (EN) et selon la loi
- la prise ou l'interrupteur de circuit sont faciles d'accès

Le fabricant rénonce à toute responsabilité en cas que les normes ne seront pas respectés ainsi qu'en cas de dérogation des règles mentionnés ci-haut.

Avant la première utilisation, il faut retirer le film de protection et nettoyer l'appareil – voir chapitre « nettoyage et entretien ».

Entretien:

Il est recommandé de faire contrôler l'appareil dans un service spécialisé au moins une fois par an. Toutes les interventions peuvent être effectuées seulement par une personne qualifiée ayant une autorisation pour ces interventions.



-N'introduisez pas la fiche du cordon dans la prise de courant et ne débranchez pas l'appareil de la prise électrique si vos mains sont mouillées ou en tirant sur le cordon électrique !

-N'utilisez pas de rallonge ou de multiprise.

MODE D'EMPLOI

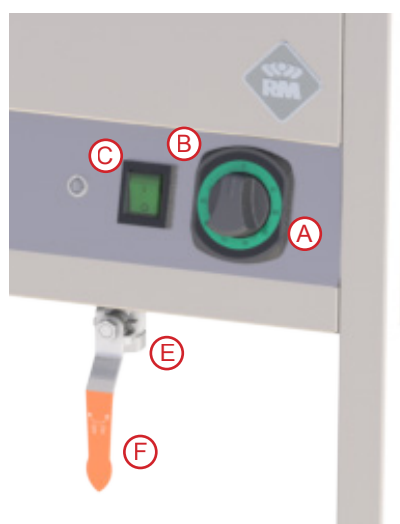
Attention !

Avant la première utilisation, il faut laver l'appareil à l'aide d'un torchon humide et d'un détergent. Rincer et sécher.

Remplir l'appareil d'eau jusqu'au trait sur le côté du bac. Allumer l'appareil à l'aide de l'interrupteur principal (B), tourner le dispositif de commande (E) de la position « 0 » à la position marquante la température désirée (entre 30°C et 90°C). Les témoins lumineux (C) et (D) sont allumés. Le témoin lumineux (C) brille quand l'appareil est sous le courant. Le témoin lumineux (D) brille quand les résistances de chauffage travaillent. Le témoin lumineux (D) s'éteint quand la température désirée est atteinte. Pour éteindre l'appareil – tourner le dispositif de commande (E) jusqu'à la position « 0 » et appuyer sur l'interrupteur principal (B). Toujours vérifier le niveau d'eau, ne jamais utiliser l'appareil sans eau. À utiliser seulement sous surveillance et équipé des gastro-bacs correspondants.

VIDANGE DU BAC

Vider le bac uniquement quand l'eau est froide et quand l'appareil est débranché. Se procurer d'un récipient approprié à recueillir l'eau. Ce récipient doit être en matériel résistant à la chaleur et doit être placé de telle manière que l'eau n'asperge pas le voisinage. Mettre le tuyau de vidange, lever la sécurité de vidange vers haut et bouger le levier vers le point marqué de signe du robinet ouvert. Vider uniquement quand l'eau est froide.



NETTOYAGE ET ENTRETIEN

Il est recommandé de faire contrôler l'appareil dans un service spécialisé au moins une fois par an. Toutes les interventions peuvent être effectuées seulement par une personne qualifiée ayant une autorisation pour ces interventions.

ATTENTION ! L'appareil ne peut pas être nettoyé sous l'eau courante ou de pression. Nettoyer l'appareil chaque jour. Nettoyage quotidien prolonge la vie et le fonctionnement de l'appareil. Avant le nettoyage vérifier, si l'appareil est débranché. Toujours débrancher l'alimentation principale. Les pièces en inox nettoyer à l'aide d'un torchon humide et un détergent sans particules abrasives, rincer, sécher. Ne jamais utiliser les produits abrasifs ou corrosifs.

Comment procéder en cas de panne de l'appareil

Débrancher l'appareil et appeler le service spécialisé.

AVERTISSEMENT:

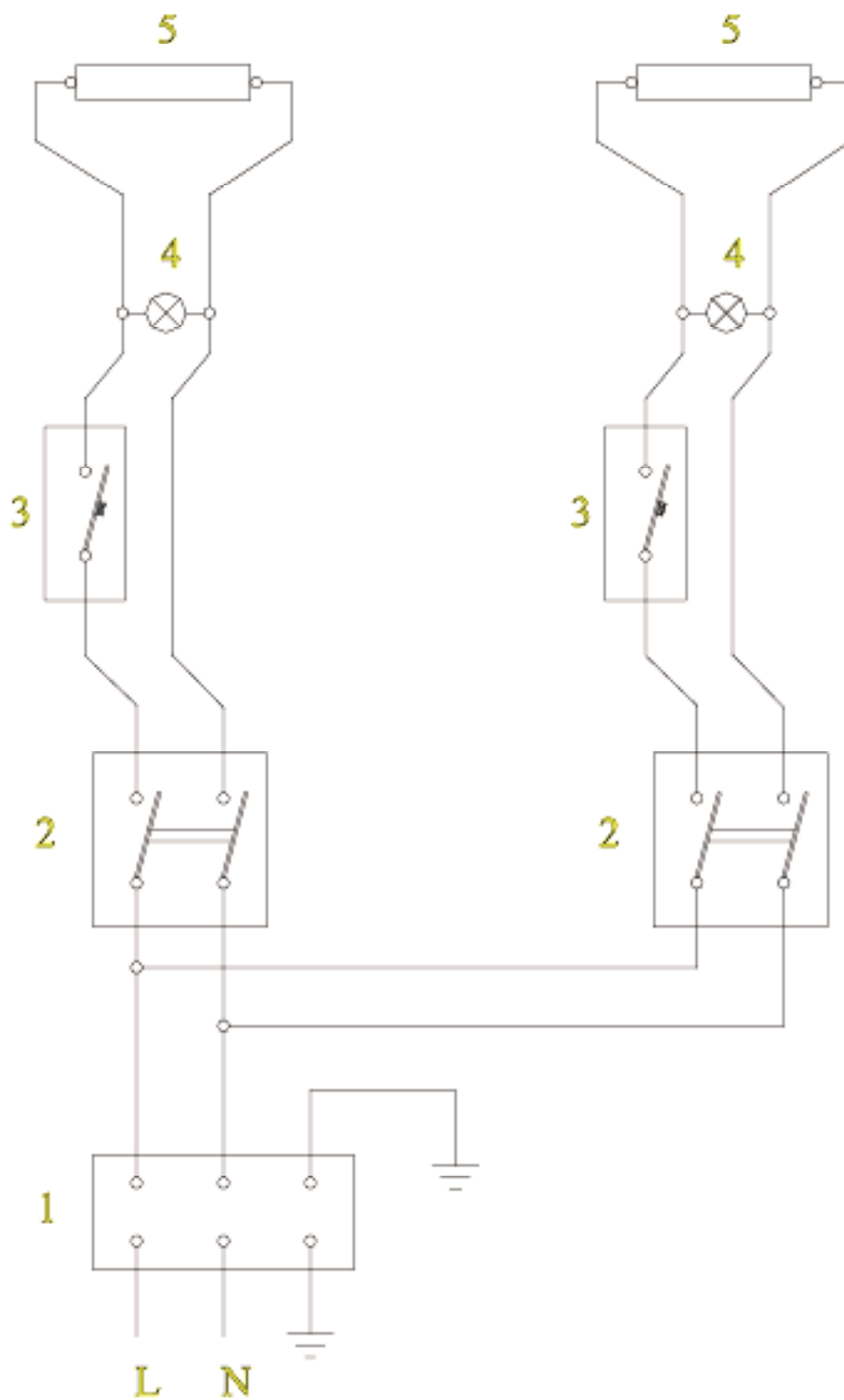
La garantie ne concerne pas les bourrelets en caoutchouc, bulbes, parties en verre et en plastique. Elle ne concerne également pas tout l'appareil si l'installation n'a pas été effectuée par une personne qualifiée, selon le mode d'installation ou selon les normes en vigueur ou si l'appareil n'a pas été utilisé selon le mode d'emploi, s'il y avait des interventions nonprofessionnelles (interventions à l'intérieur de l'appareil). La garantie ne concerne pas les endommagements causés par la pluie, vent, etc.

Mode de maintenance de la plaque d'acier :

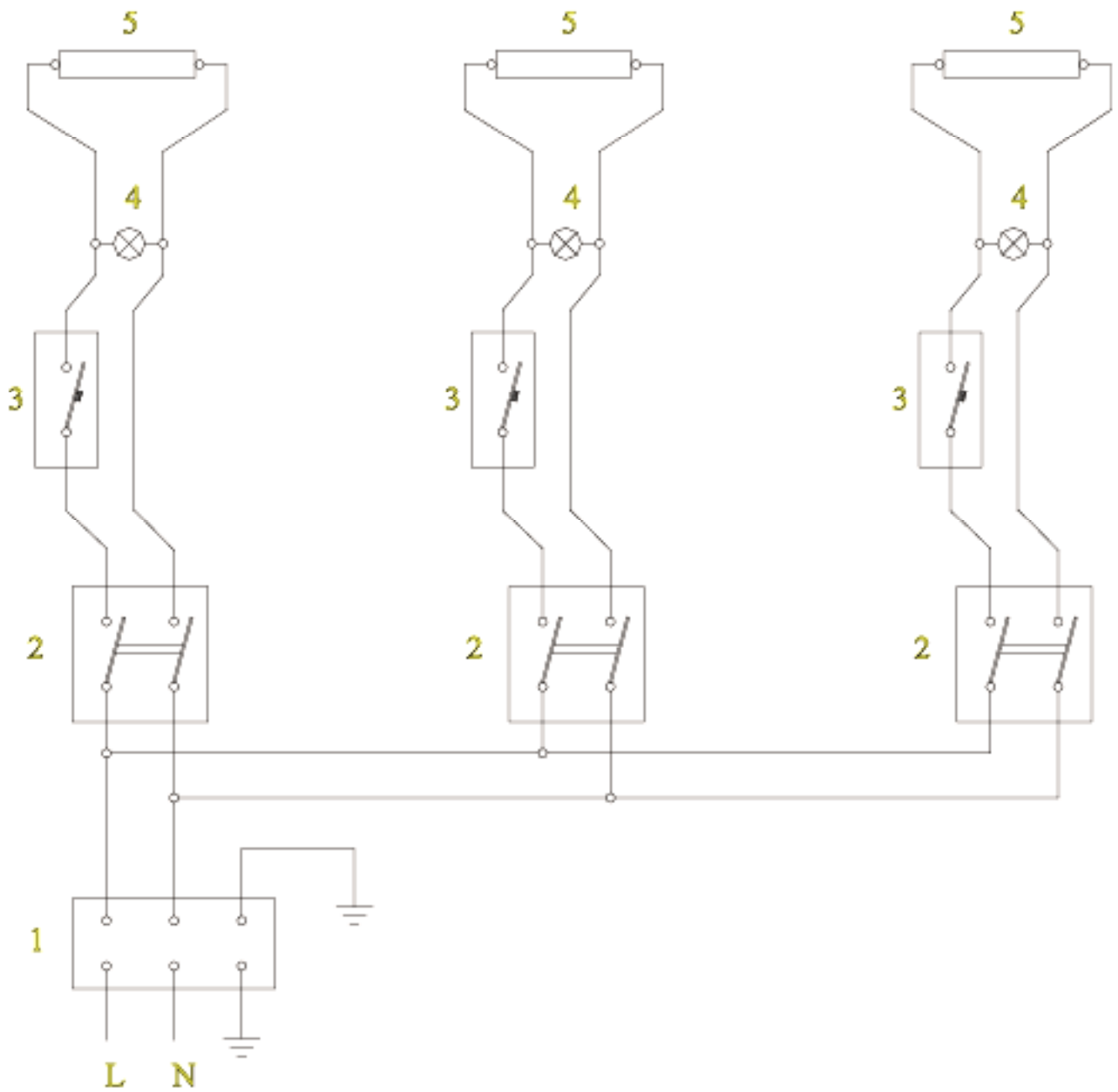
- réchauffer
- éteindre
- nettoyer/ enlever avec la spatule (peut être métallique) – positionnée à plat, pas sur l'arête
- utiliser l'eau avec le détergent (peut être le RM grill) et enlever la saleté résiduelle et les dépôts
- utiliser l'eau propre (avec du vinaigre ou du citron)
- sécher et éponger
- laisser s'évaporer l'humidité résiduelle (plus facile si la plaque est encore chaude)
- huiler des plaques de grill

Mode de maintenance de la plaque chromée :

- réchauffer
- éteindre
- gratter par la spatule en plastique
- utiliser l'eau avec le détergent et rincer
- utiliser l'eau propre
- sécher et éponger
- laisser s'évaporer l'humidité résiduelle (plus facile si la plaque est encore chaude)

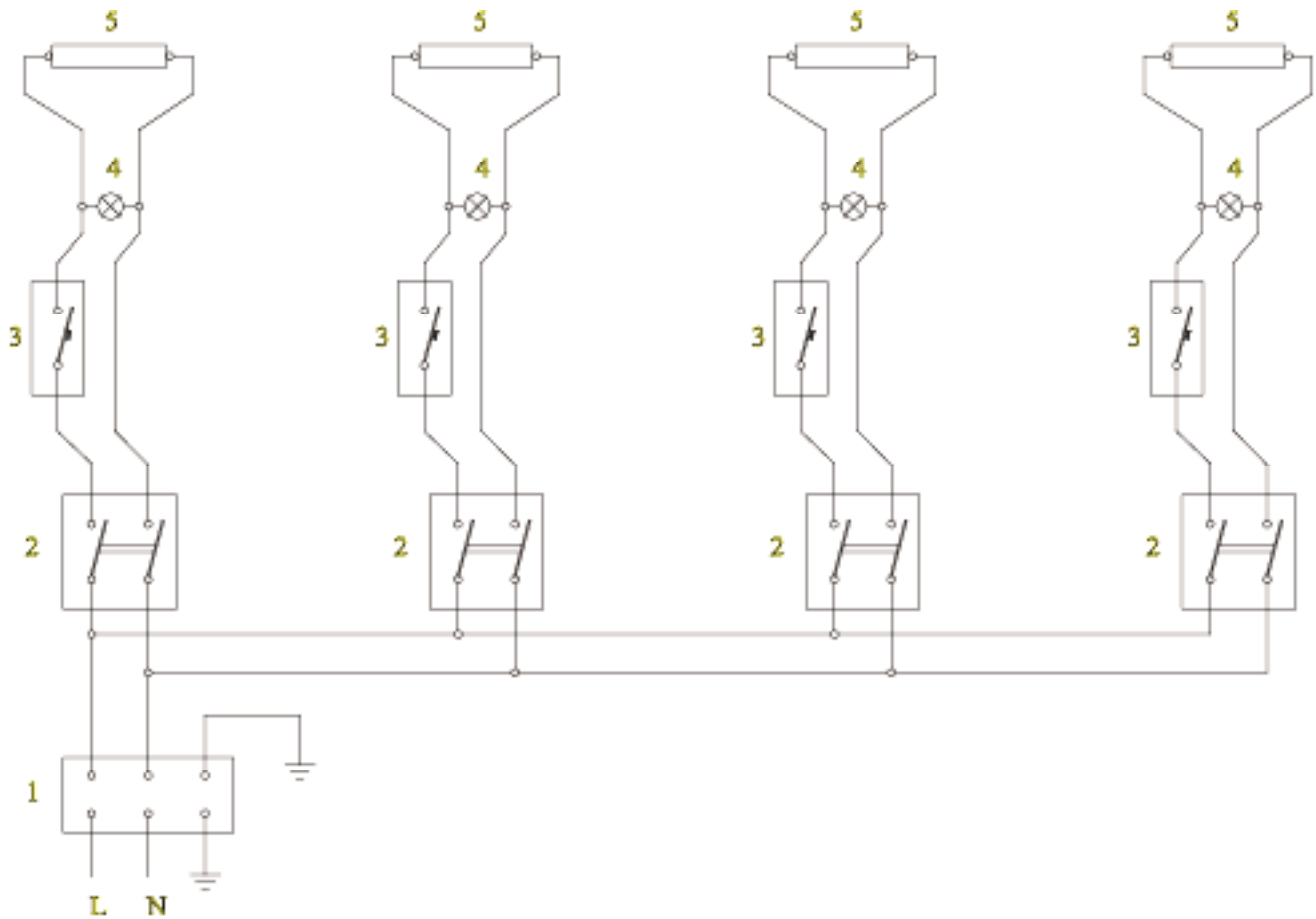


	 ENGLISH 	 DEUTSCH 	 FRANÇAIS 
1	TERMINAL BOARD	KLEMMSBRETT	BORNIER
2	MAIN SWITCH	SCHALTER	INTERRUPTEUR PRINCIPAL
3	TERMOSTAT	TERMOSTAT	THERMOSTATE
4	LED	KONTROLLAMPE	TÉMOIN LUMINEUX ORANGE
5	HEATING ELEMENT	HEIZUNGSSPIRALE	RÉSISTANCE DE CHAUFFAGE



	 ENGLISH	 DEUTSCH	 FRANÇAIS
1	TERMINAL BOARD	KLEMMSBRETT	BORNIER
2	MAIN SWITCH	SCHALTER	INTERRUPTEUR PRINCIPAL
3	TERMOSTAT	TERMOSTAT	THERMOSTATE
4	LED	KONTROLLAMPE	TÉMOIN LUMINEUX ORANGE
5	HEATING ELEMENT	HEIZUNGSSPIRALE	RÉSISTANCE DE CHAUFFAGE

EL. CONNECTION DIAGRAM / SCHALTPLAN / SCHÉMA DU ELECTRIQUE
BM** - 4120

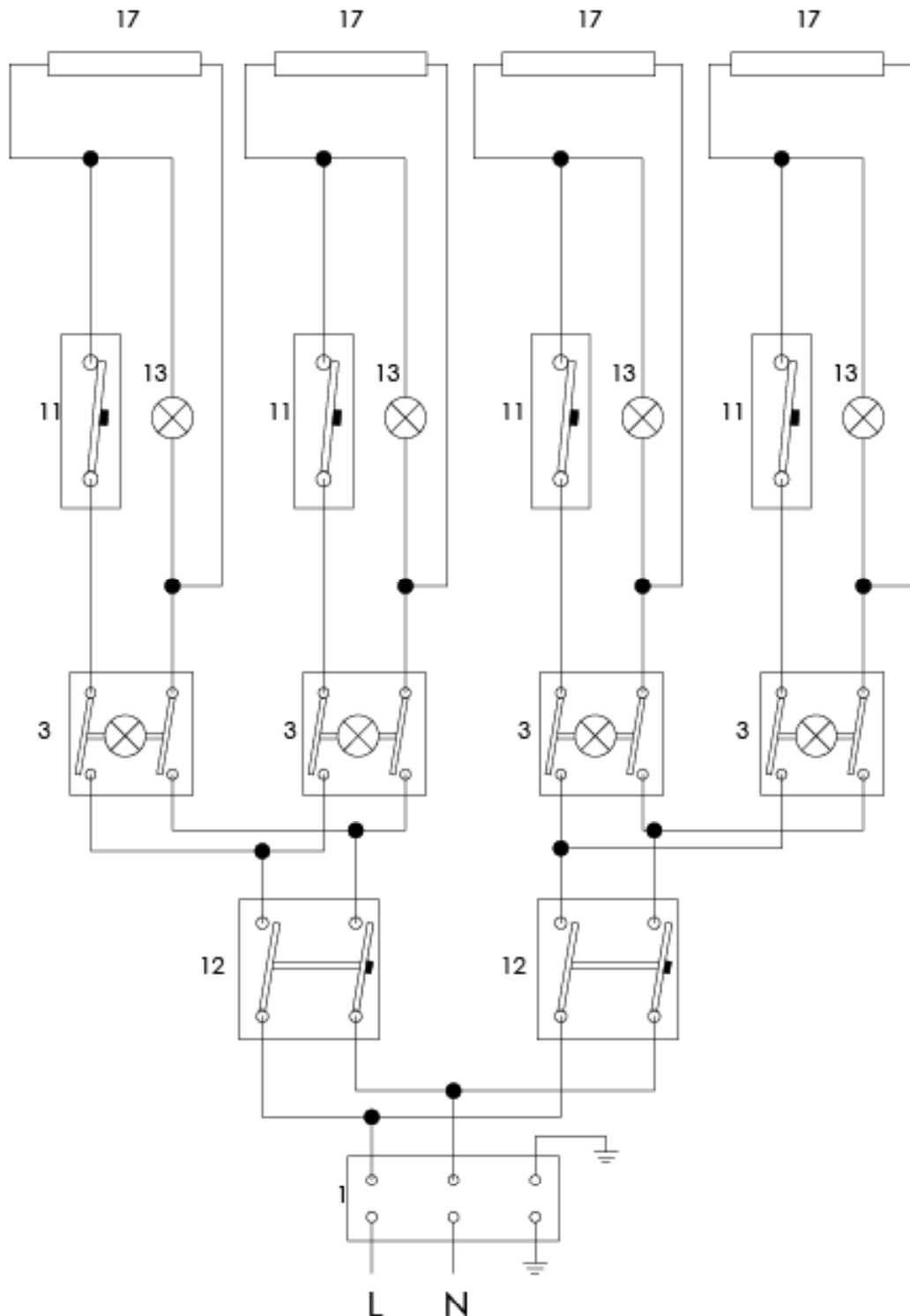



	 ENGLISH	 DEUTSCH	 FRANÇAIS
1	TERMINAL BOARD	KLEMMSBRETT	BORNIER
2	MAIN SWITCH	SCHALTER	INTERRUPTEUR PRINCIPAL
3	TERMOSTAT	TERMOSTAT	THERMOSTATE
4	LED	KONTROLLAMPE	TÉMOIN LUMINEUX ORANGE
5	HEATING ELEMENT	HEIZUNGSSPIRALE	RÉSISTANCE DE CHAUFFAGE

EL. CONNECTION DIAGRAM / SCHALTPLAN / SCHÉMA DU ELECTRIQUE

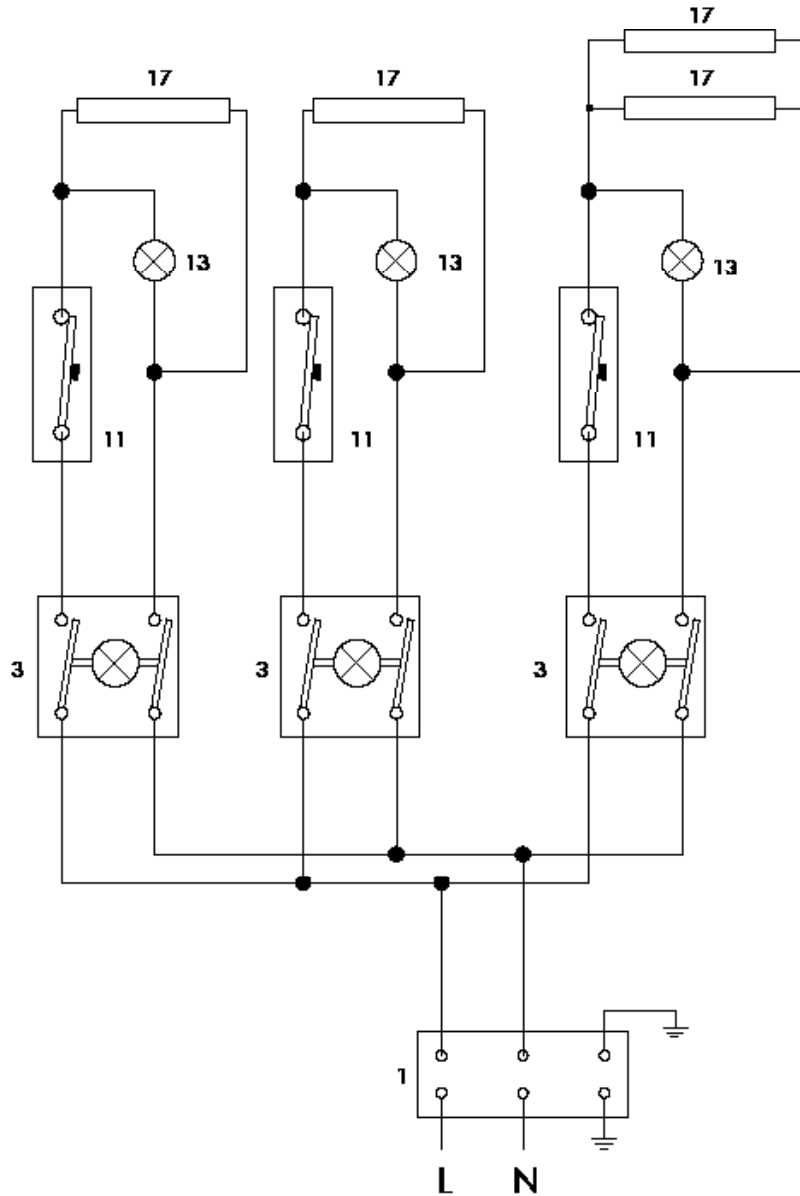
BM** - 4120







(SAFETY THERMOSTAT/ SICHERHEITS THERMOSTAT / THERMOSTAT DE SÉCURITÉ)



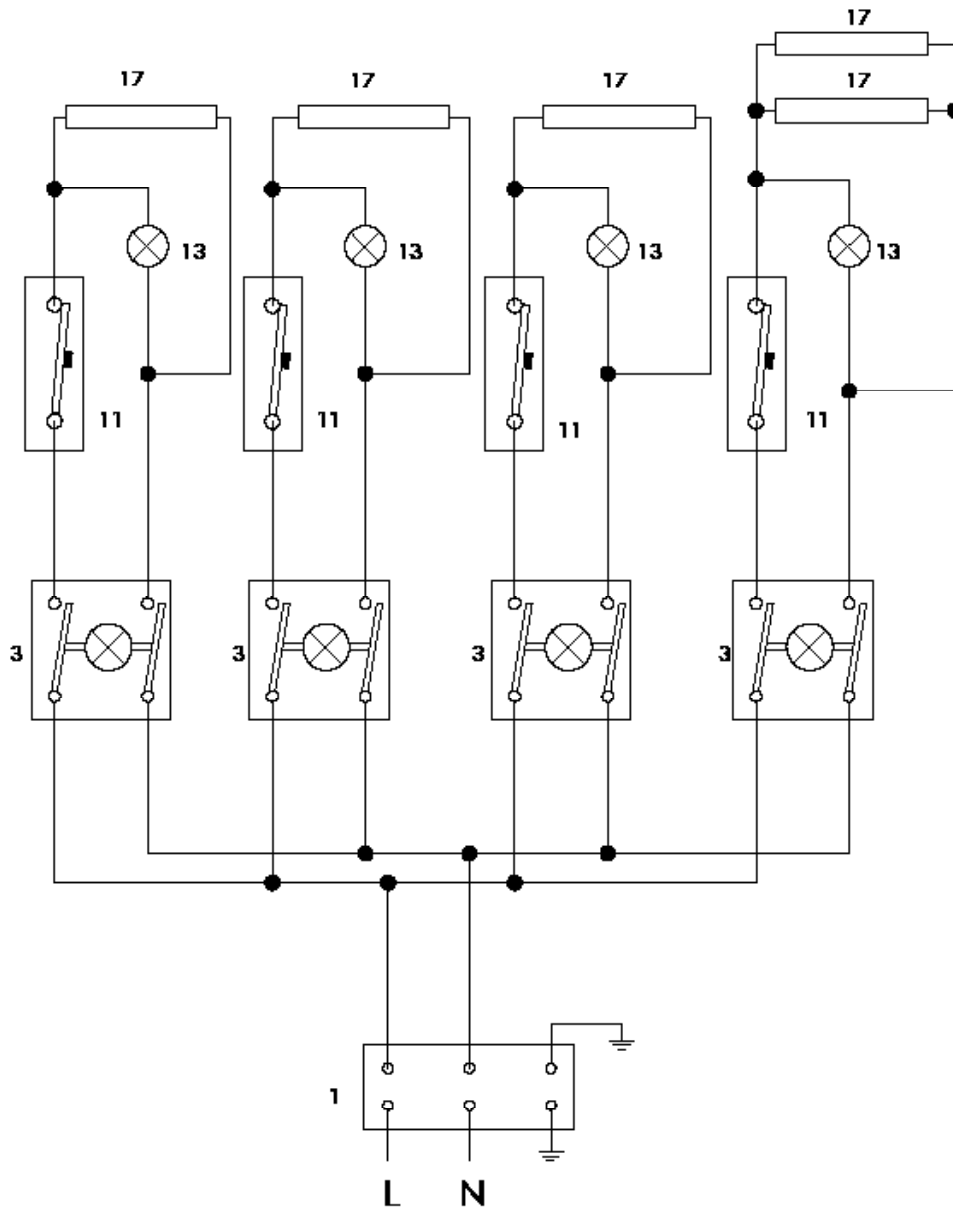
	 ENGLISH	 DEUTSCH	 FRANÇAIS
1	TERMINAL BOARD	KLEMMSBRETT	BORNIER
3	ILLUMINATED SWITCH	LEUCHT SCHALTER	INTERRUPTEUR LUMINEUX
11	WORKING THERMOSTAT	ARBEITS THERMOSTAT	THERMOSTAT DE TRAVAILLE
13	ORANGE LIGHT	KONTROLLEUCHTE ORANGE	TÉMOIN LUMINEUX ORANGE
17	HEATING ELEMENT	HEIZELEMENT	RÉSISTANCE DE CHAUFFE
12	SAFETY THERMOSTAT	SICHERHEITS THERMOSTAT	THERMOSTAT DE SÉCURITE

EL. CONNECTION DIAGRAM / SCHALTPLAN / SCHÉMA DU ELECTRIQUE
 BM** - 2120 CSH



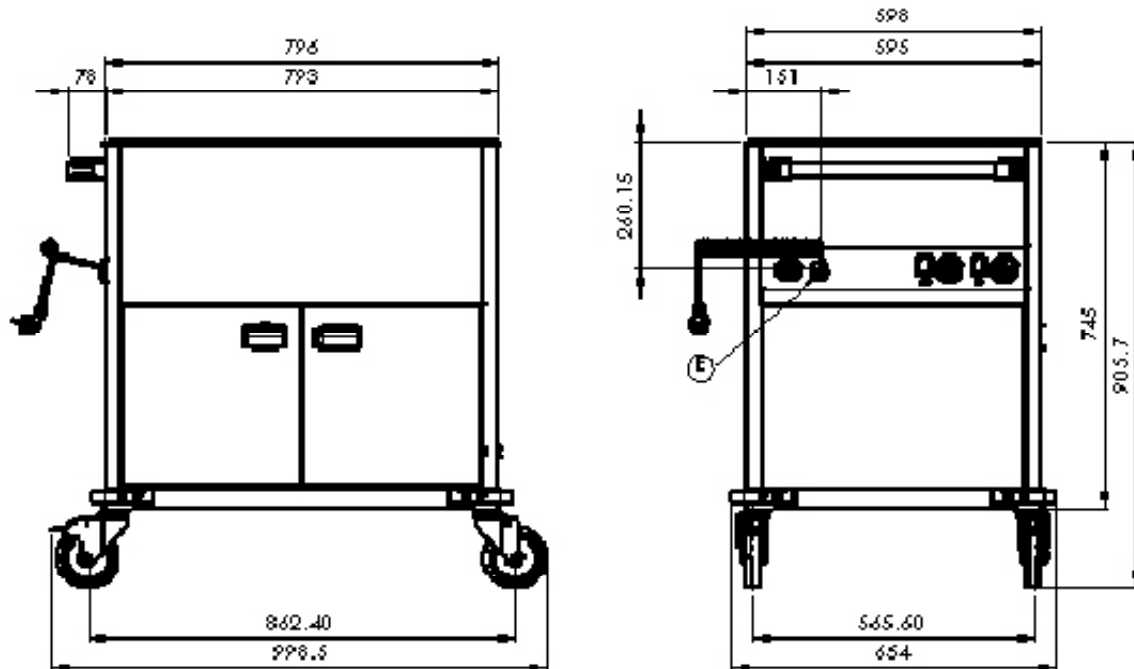
	 ENGLISH 	 DEUTSCH 	 FRANÇAIS 
1	TERMINAL BOARD	KLEMMSBRETT	BORNIER
3	ILLUMINATED SWITCH	LEUCHT SCHALTER	INTERRUPTEUR LUMINEUX
11	WORKING THERMOSTAT	ARBEITS THERMOSTAT	THERMOSTAT DE TRAVAILLE
13	ORANGE LIGHT	KONTROLLEUCHTE ORANGE	TÉMOIN LUMINEUX ORANGE
17	HEATING ELEMENT	HEIZELEMENT	RÉSISTANCE DE CHAUFFE
12	SAFETY THERMOSTAT	SICHERHEITS THERMOSTAT	THERMOSTAT DE SÉCURITE

EL. CONNECTION DIAGRAM / SCHALTPLAN / SCHÉMA DU ELECTRIQUE
 BM** - 3120 CSH

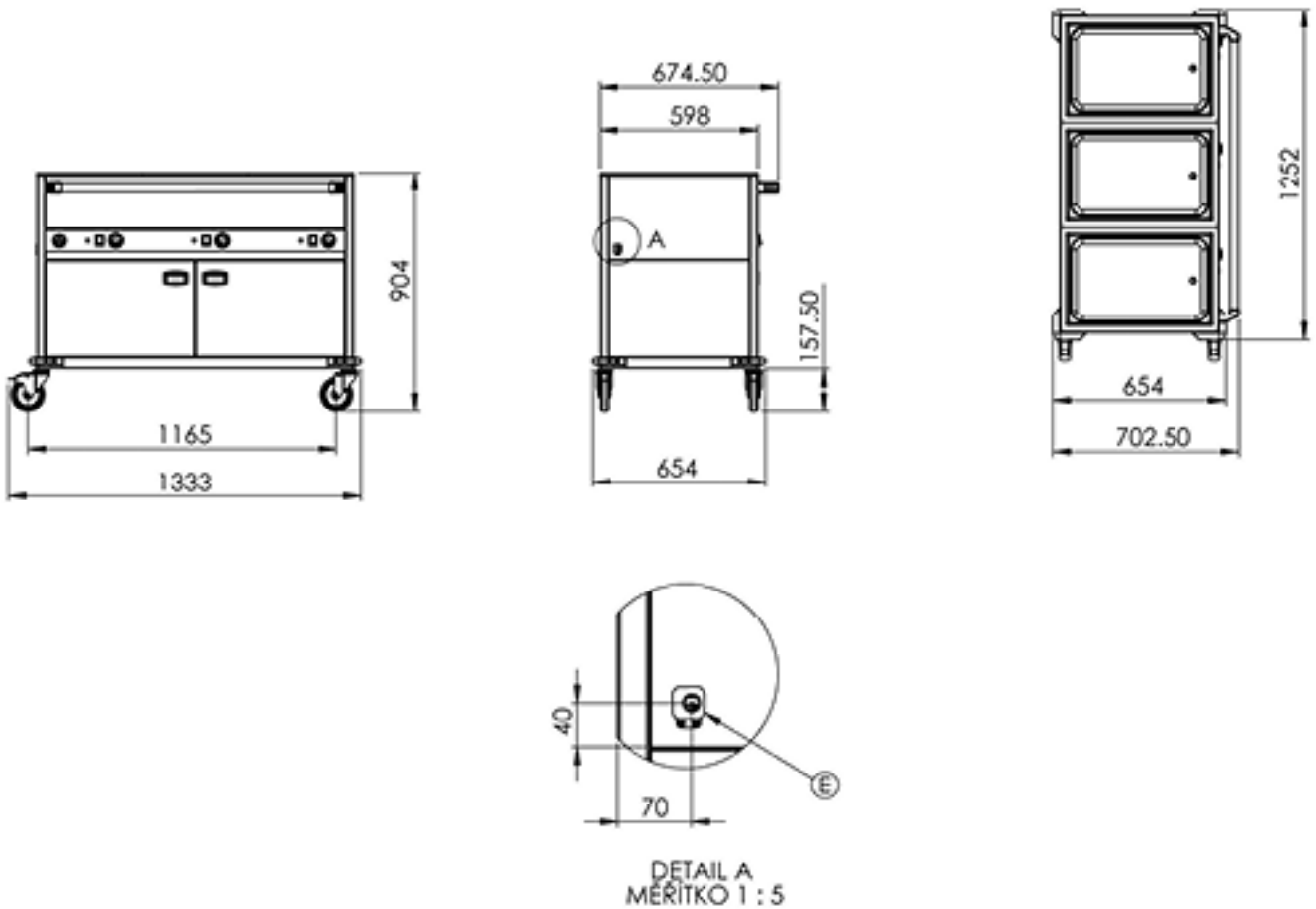


	 ENGLISH 	 DEUTSCH 	 FRANÇAIS 
1	TERMINAL BOARD	KLEMMSBRETT	BORNIER
3	ILLUMINATED SWITCH	LEUCHT SCHALTER	INTERRUPTEUR LUMINEUX
11	WORKING THERMOSTAT	ARBEITS THERMOSTAT	THERMOSTAT DE TRAVAILLE
13	ORANGE LIGHT	KONTROLLEUCHTE ORANGE	TÉMOIN LUMINEUX ORANGE
17	HEATING ELEMENT	HEIZELEMENT	RÉSISTANCE DE CHAUFFE
12	SAFETY THERMOSTAT	SICHERHEITS THERMOSTAT	THERMOSTAT DE SÉCURITE

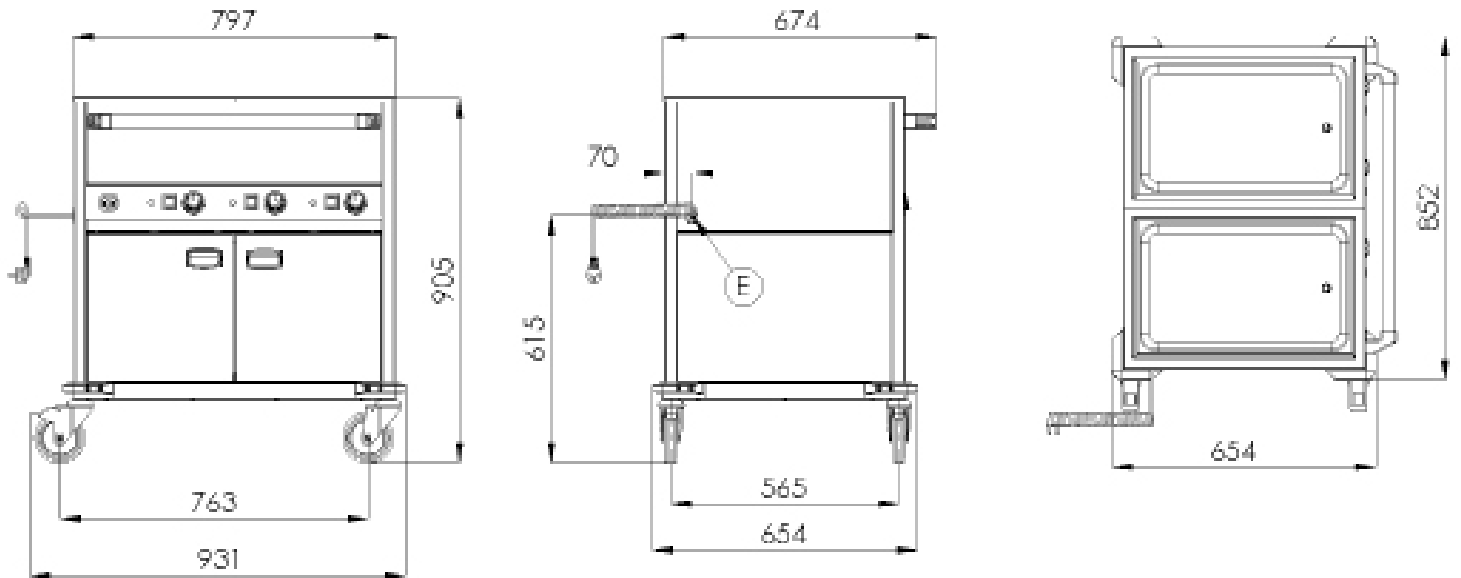
**DIMENSION PLANS / MASSKIZZEN / DIMENSIONS
BMPK - 2120 CS(H)**



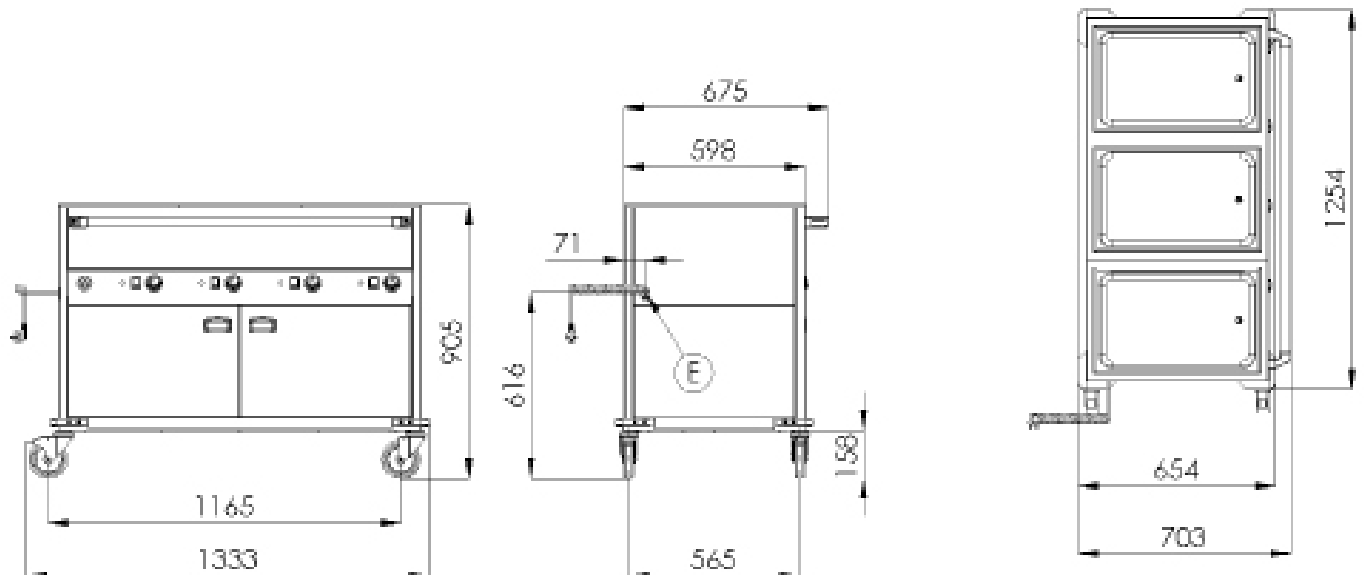
**DIMENSION PLANS / MASSKIZZEN / DIMENSIONS
BMPK - 3120 CS(H)**



**DIMENSION PLANS / MASSKIZZEN / DIMENSIONS
BMPD - 2120 CS(H)**



**DIMENSION PLANS / MASSKIZZEN / DIMENSIONS
BMPD - 3120 CS(H)**



PROHLÁŠENÍ O SOULADU S NORMAMI

Výrobce prohlašuje, že přístroje splňují základní požadavky směrnice 2014/30/EU (nařízení vlády č. 117/2016 Sb.) a požadavky směrnice 2014/35/EU (nařízení vlády č. 118/2016 Sb.).

Pozor, výrobce se vzdává jakékoli odpovědnosti v případě přímých i nepřímých poškození, které se vztahují ke špatné instalaci, nesprávným zásahem nebo úpravami, nedostatečnou údržbou, nesprávným používáním, a které jsou eventuálně způsobeny jinými příčinami, jež uvádí body uvedené v podmínkách prodeje. Tento spotřebič je určen pouze pro odborné používání a musí být obsluhován kvalifikovanými osobami. Části, které byly po nastavení zajištěny výrobcem nebo pověřeným pracovníkem, nesmí uživatel přestavovat.

TECHNICKÁ DATA

Štítek s technickými údaji je umístěn na boku či zadním panelu přístroje. Před instalací si prostudujte elektrické schéma zapojení a všechny následující informace.

Typ výrobku	Napětí (V / Hz)	Výkon (W)	Rozměr (cm)	Vyhřívaný uložený prostor
BMPD - 2120	230 / 50	1 400	85 x 70 x 90	NE
BMPK - 2120	230 / 50	1 400	90 x 70 x 85	NE
BMPD - 3120	230 / 50	2 100	125 x 70 x 90	NE
BMPK - 3120	230 / 50	2 100	130 x 65 x 90	NE
BMPD - 4120	230 / 50	2 800	165 x 70 x 90	NE
BMPK - 4120	230 / 50	2 800	17 x 65 x 90	NE
BMSD - 2120	230 / 50	1 400	80 x 60 x 90	NE
BMSK - 2120	230 / 50	1 400	80 x 60 x 90	NE
BMSD - 3120	230 / 50	2 100	120 x 60 x 90	NE
BMSK - 3120	230 / 50	2 100	120 x 60 x 90	NE
BMSD - 4120	230 / 50	2 800	160 x 60 x 90	NE
BMSK - 4120	230 / 50	2 800	160 x 60 x 90	NE
BMPK - 2120 CS	230 / 50	1 400	85 x 70 x 90	NE
BMPD - 3120 CS	230 / 50	2 100	130 x 65 x 90	NE
BMPK - 3120 CS	230 / 50	2 100	130 x 65 x 90	NE
BMPD - 2120 CSH	230 / 50	2 800	85 x 70 x 90	ANO
BMPK - 2120 CSH	230 / 50	2 800	90 x 70 x 85	ANO
BMPD - 3120 CSH	230 / 50	3 500	125 x 70 x 90	ANO
BMPK - 3120 CSH	230 / 50	3 500	130 x 65 x 90	ANO

KONTROLA OBALU A ZAŘÍZENÍ

Zařízení opouští naše sklady v řádném obalu, na kterém jsou odpovídající symboly a označení. V obalu se nachází odpovídající návod k obsluze. Jestliže by obal měl vykazovat špatné zacházení, známky poškození, musí se okamžitě reklamovat u přepravce a to sepsáním a podepsáním protokolu o škodě. Na pozdější reklamace nebude brán zřetel.

Důležité upozornění

Tento návod musí být řádně a pozorně přečten, protože obsahuje důležité informace o bezpečnostních prvcích, instalaci a použití.

- Výrobek je určen pouze k používání ve vnitřních prostorách.
- Nikdy spotřebič nepoužívejte, pokud má poškozený napájecí přívod nebo vidlici, pokud nepracuje správně, upadl na zem a poškodil se nebo spadl do vody. V takových případech zanechte spotřebič do odborného servisu k prověření jeho bezpečnosti a správné funkce
- Tato doporučení se vztahují na tento výrobek, nebo produktovou linii.
- Tento návod se musí řádně uschovat pro budoucí použití.
- Zabraňte dětem manipulovat s přístrojem.
- Při prodeji nebo přemístění je nutno se přesvědčit, že obsluha nebo odborný servis se seznámil s ovládáním a instalačními pokyny v příloženém návodu.
- Výrobek smí obsluhovat pouze obsluha, která se seznámila s tímto návodem k použití.
- Nesmí být spuštěn bez dozoru.
- Doporučuje se kontrola odborným servisem minimálně 2x ročně.
- Při eventuální opravě nebo výměně dílů musí být použity originální náhradní díly.
- Výrobek se nesmí čistit proudem vody nebo tlakovou sprchou.
- Při poruše nebo špatném chodu výrobku je nutné odpojit veškeré přívody (voda, elektřina, plyn) a zavolat autorizovaný servis.
- Výrobce se vzdává jakékoli zodpovědnosti při poruchách způsobenými chybnou instalací, nedodržením shora uvedených doporučení, jiným užíváním apod.

UMÍSTĚNÍ

Ke správné činnosti a umístění spotřebiče je nutné dodržet následující směrnice dle norem TPG G 704 01, ČSN 127040 a ČSN 127010.

Rozbalte přístroj a zkontrolujte, zda se přístroj nepoškodil během přepravy. Umístěte přístroj na vodorovnou plochu (maximální nerovnost do 2°). Drobné nerovnosti lze vyrovnat regulovatelnými nožičkami.

Jestliže zařízení bude umístěno tak, že bude v kontaktu se stěnami nábytku, tyto musí odolávat teplotě až 60°C. Instalaci, seřízení, uvedení do provozu musí provést kvalifikovaná osoba, která má k takovýmto úkonům oprávnění a to dle platných norem.

Přístroj může být instalován samostatně nebo v sérii s přístroji naší výroby. Je nutno dodržovat minimální vzdálenost 10 cm od hořlavých materiálů. V tomto případě je nutné zabezpečit odpovídající úpravy, aby byla zabezpečena tepelná izolace hořlavých částí.

Spotřebič se musí instalovat pouze na nehořlavém povrchu nebo u nehořlavé stěny.

INSTALACE

Důležité:

Výrobce neposkytuje žádnou záruku na závady, vzniklé v důsledku nesprávného používání, nedodržování instrukcí obsažených v příloženém návodu k použití a špatným zacházením se spotřebiči.

Instalaci, úpravy a opravy spotřebičů pro velkokuchyně, tak jako i jejich demontáž z důvodu možného poškození přívodu plynu, mohou být prováděny pouze na základě smlouvy o údržbě, tato smlouva může být uzavřena s autorizovaným prodejcem, přičemž musí být dodržovány technické předpisy a normy a předpisy týkající se instalace, elektrického přívodu, plynové přípojky a bezpečnosti práce.

Technické instrukce pro instalaci a seřízení, k použití POUZE pro specializované techniky.

Instrukce, které následují, se obrací k technikovi kvalifi kovanému pro instalaci, aby provedl všechny operace způsobem co nejkorektnějším a podle platných norem.

Jakákoli činnost spojená s regulací apod. musí být vykonána pouze se zařízením odpojeným ze sítě. Je - li nutno udržovat spotřebič pod napětím je nutno dbát nejvyšší opatrnosti.

Typ spotřebiče pro provedení odtahu je deklarován na typovém štítku, jedná se o spotřebiče typu A1.

BEZPECNOSTNI OPATRENI Z HLEDISKA POZARNI OCHRANY PODLE ČSN 061008 ČL. 21

- obsluhu spotřebiče smí provádět pouze dospělé osoby
- spotřebič smí být bezpečně používán v souladu s normami:
ČSN 33 2000-4-482: Ochrana proti požáru v prostorách se zvláštním rizikem nebo nebezpečím
ČSN 33 2000-4-42: Ochrana před účinky tepla

- spotřebič je nutné umístit tak, aby stál nebo visel pevně na nehořlavém podkladu

Na spotřebič a do vzdálenosti menší než bezpečná vzdálenost od něho nesmějí být kladeny předměty z hořlavých hmot (nejmenší vzdálenost spotřebiče od hořlavých hmot je 10 cm).

Tabulka: stupeň hořlavosti stavební hmoty zařazené do st. hořlavosti (ČSN 730823) hmot a výrobků

Stupeň hořlavosti	Stavební hmoty
A - nehořlavé	žula, pískovec, betony, cihly, keramické obkladačky, omítky
B - nesnadno hořlavé	akumin, heraklit, lihnos, itaver
C1 - těžce hořlavé	dřevo, listnaté, překližky sirkoklit, tvrzený papír, umakart
C2 - středně hořlavé	dřevotřískové desky, solodur, korkové desky, pryž, podlahoviny
C3 - lehce hořlavé	dřevovláknité desky, polystyrén, polyureten, PVC

• informace o stupni hořlavosti běžných stavebních hmot uvádí tabulka níže. Spotřebiče musí být instalovány bezpečným způsobem. Při instalaci musí být dále respektovány příslušné projektové, bezpečnostní a hygienické předpisy dle:

- ČSN 06 1008 požární bezpečnost lokálních spotřebičů a zdrojů tepla
- ČSN 33 2000-4-482 ochrana proti požáru v prostorách se zvláštním rizikem nebo nebezpečím
- ČSN 33 2000-4-42 ochrana před účinky tepla

PŘIPOJENÍ ELEKTRICKÉHO KABELU DO SÍTĚ

Instalace elektrického přívodu - tento přívod musí být samostatně jištěn. A to odpovídajícím jističem jmenovitého proudu v závislosti na příkonu instalovaného přístroje. Příkon přístroje zkontrolujte na výrobním štítku na zadním panelu (či boku) přístroje.

Připojený zemnicí vodič musí být delší než ostatní vodiče. Přístroj připojte přímo na síť, je nezbytné vložit mezi spotřebič a síť vypínač s minimální vzdáleností 3 mm mezi jednotlivými kontakty, který odpovídá platným normám a zatížením. Přívod uzemnění (žlutozelený) nesmí tímto spínačem být přerušen. Přístroj určený pro připojení do zásuvky, připojte do sítě pokud má zásuvka odpovídající jištění.

V každém případě přívodní kabel musí být umístěn tak, že v žádném bodě nedosáhne teploty o 50 stupňů vyšší než prostředí. Než bude spotřebič připojen do sítě, je nutné se nejprve ujistit, že:

- přívodní jistič a vnitřní rozvod snesou proudové zatížení spotřebiče (viz štítek matrice)
- rozvod je vybaven účinným uzeměním podle norem (ČSN) a podmínek daných zákonem
- zásuvka nebo vypínač v přívodu jsou dobře přístupné od spotřebiče
- elektrický přívod do zařízení musí být z olejovzdorného materiálu

Vzdáváme se jakékoli zodpovědnosti v případě, že tyto normy nebudou respektovány a v případě porušení výše uvedených zásad.

Před prvním použitím musíte přístroj vyčistit viz. kapitola „čištění a údržba“. Spotřebič musí být uzemněn pomocí šroubu se značkou uzemnění.



- Tato etiketa označuje uzemňovací bod zařízení

NÁVOD K POUŽITÍ

Pozor!

Než začnete přístroj používat, je nutné jej dobře omýt vodou se saponátem na nádobí, a poté otřít vlhkým hadrem namočeným v čisté vodě.

Naplňte přístroj vodou do výšky max 2 cm. Zapněte hlavním vypínačem (B) otočte ovladačem (A) z polohy „0“ na vámi požadovanou hodnotu v rozpětí 30°C - 90°C. Zapnutí zařízení je signalizováno kontrolkou ve vypínači. Kontrolka (C) svítí, pokud jsou v chodu tepelné spirály. Kontrolka (C) zhasne, pokud je přístroj vyhřátý na nastavenou teplotu.

Přístroj vypnete, když otočíte ovladačem (A) do polohy „0“ a přepnete hlavní vypínač (B) do polohy vypnuto. Neustále kontrolujte hladinu vody, nikdy nepoužívejte přístroj bez vody. Používejte přístroj pouze pod dohledem a plně osazený odpovídajícími gastronádobami. Pokud nejsou jednotlivé vany plně osazeny gastronádobami, je nutné volná místa zakrýt víky ke gastronádobám pro zamezení úniku tepla a vodní páry. V jednotlivých modelech má každá vana samostatné ovládání.

Při dlouhodobé odstavce vypojte přívodní kabel (D) ze sítě a odložte do odkládacího otvoru na panelu vodní lázně.

U pojízdných modelů je nutné po jejich umístění na místo určení zabrzdit kolečka.

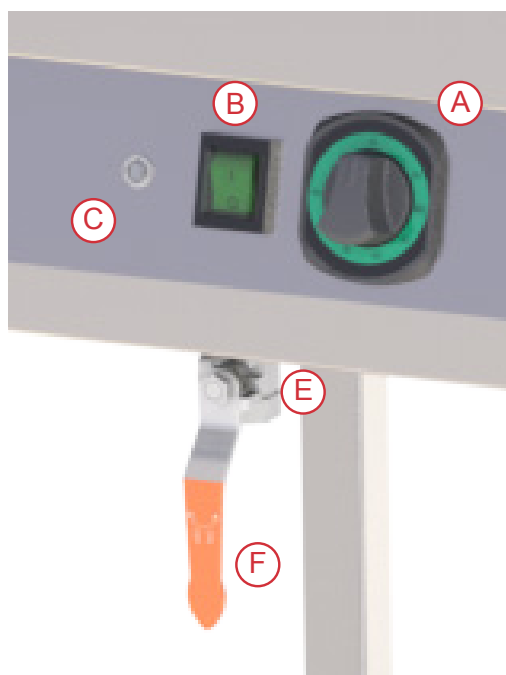
U stabilních vodních lázní je nutné jejich vyrovnání do roviny pomocí regulovatelných nožiček.

Vypuštění vany:

Vanu vylévejte pokud je voda chladná a přístroj je odpojen od elektrického proudu.

Postupujte takto:

Uživatel se musí vybavit vhodnou nádobou na vypouštění vody z vany. Tato nádoba musí být z tepelně odolného materiálu a musí být postavena tak, aby byla pod výpustnou trubkou příslušné vany a tak, že voda nebude stříkat a tím nebude způsobovat nebezpečí. Ovládací páčku ventilu otočte do polohy otevřeno a tím vypustíte vodu z vany. Vanu vypouštějte pokud je voda chladná



- (A) Regulační knoflík
- (B) Hlavní vypínač prosvětlený
- (C) Kontrolka oranžová - vyhřátí
- (E) Výpustný ventil
- (F) Páka ovládání ventilu




pozn.: u modelů CSH naleznete ovládání vytápění uLožného prostoru vždy nejvíce vpravo. Postup ovládání je stejný, jako při ovládání ohřevu gastronádoby.

ČIŠTENÍ A ÚDRŽBA

Přístroj se musí alespoň 2 x ročně překontrolovat odborným servisem. Veškeré zásahy do přístroje může provádět pouze kvalifikovaná osoba, která má k takovýmto úkonům oprávnění.

POZOR!

 Zařízení se nesmí čistit přímou nebo tlakovou vodou. Čistěte zařízení denně. Denní údržba prodlužuje životnost a účinnost zařízení. Před započetím čištění se přesvědčte, jestli jste odpojili zařízení od elektrického proudu. Vždy vypněte hlavní přívod k zařízení. Nerezové části omyjte vlhkým hadrem se saponátem bez hrubých částic a vytřete do sucha. Nepoužívejte abrasivní nebo korosivní čisticí prostředky.

Pozor! Než-li začnete přístroj používat, je nutné z celého povrchu sejmout ochranné fólie, a pak jej dobře omýt vodou se saponátem na nádobí, a poté otřít vlhkým hadrem.

Jak postupovat v případě poruchy?

Vypněte elektrický (plynový) přívod a zavolejte servisní organizaci prodejce.

Záruka se navztahuje na všechny spotřební díly podléhající běžnému opotřebení (gumová těsnění, žárovky, skleněné a plastové díly atd.). Záruka se též nevztahuje na zařízení pokud není provedena instalace v souladu s návodem – oprávněným pracovníkem dle odpovídajících norem a pokud bylo se zařízením neodborně manipulováno (zásahy do vnitřního zařízení atd.) nebo bylo obsluhováno nezaškoleným personálem a v rozporu s návodem k použití, dále se záruka nevztahuje na poškození přírodními vlivy či jiným vnějším zásahem.

Přepravní obaly a zařízení po ukončení životnosti odevzdejte do sběru, dle předpisů o nakládání s odpadem a nebezpečným odpadem.

OŚWIADCZENIE ZGODNOŚCI Z NORMAMI

Producent oświadcza, że urządzenia są wykonane według polskich norm i przepisów Unii Europejskiej. Montaż musi być przeprowadzony zgodnie z obowiązującymi normami, zwłaszcza w kwestii odpowiedniego wietrzenia pomieszczeń i systemu odprowadzenia spalin.

Uwaga!

Producent nie odpowiada za szkody wynikłe pośrednio lub bezpośrednio przez: złą instalację, niewłaściwą obsługę lub przeróbki, niedostateczną konserwację lub inne przyczyny niezgodne z punktami warunków sprzedaży. Urządzenie to przeznaczone jest do profesjonalnego użytkowania i musi być obsługiwane osobami o odpowiedniej kwalifikacji. Części, które były po nastawieniu zabezpieczone przez producenta lub pracownika serwisu nie mogą być zmieniane.

DANE TECHNICZNE

Tabliczka znamionowa znajduje się na tylnej części obudowy urządzenia. Przed instalacją zaleca się zapoznanie z instrukcją obsługi i wszystkimi niżej umieszczonymi informacjami.

Model	Napięcie (V / Hz)	Moc (W)	Wymiary (cm)	Podgrzewany schowek
BMPD - 2120	230 / 50	1 400	85 x 70 x 90	NE
BMPK - 2120	230 / 50	1 400	90 x 70 x 85	NE
BMPD - 3120	230 / 50	2 100	125 x 70 x 90	NE
BMPK - 3120	230 / 50	2 100	130 x 65 x 90	NE
BMPD - 4120	230 / 50	2 800	165 x 70 x 90	NE
BMPK - 4120	230 / 50	2 800	17 x 65 x 90	NE
BMSD - 2120	230 / 50	1 400	80 x 60 x 90	NE
BMSK - 2120	230 / 50	1 400	80 x 60 x 90	NE
BMSD - 3120	230 / 50	2 100	120 x 60 x 90	NE
BMSK - 3120	230 / 50	2 100	120 x 60 x 90	NE
BMSD - 4120	230 / 50	2 800	160 x 60 x 90	NE
BMSK - 4120	230 / 50	2 800	160 x 60 x 90	NE
BMPK - 2120 CS	230 / 50	1 400	85 x 70 x 90	NE
BMPK - 3120 CS	230 / 50	2100	130 x 65 x 90	NE
BMPD - 3120 CS	230 / 50	2100	130 x 65 x 90	NE
BMPD - 2120 CSH	230 / 50	2 800	85 x 70 x 90	TAK
BMPK - 2120 CSH	230 / 50	2 800	90 x 70 x 85	TAK
BMPD - 3120 CSH	230 / 50	3 500	125 x 70 x 90	TAK
BMPK - 3120 CSH	230 / 50	3 500	130 x 65 x 90	TAK

KONTROLA OPAKOWANIA I URZĄDZENIA

Urządzenie opuszcza zakłady odpowiednio zapakowane, właściwie oznakowane ietykietowane. Posiada również instrukcję obsługi. W przypadku, kiedy opakowanie nosioznaki niewłaściwego traktowania lub uszkodzenia, należy bezzwłocznie zgłosić ten fakt na piśmie u przewoźnika i podpisać protokół szkody.

Ważne

Niniejsza instrukcja powinna być przeczytana z uwagą, ponieważ zawiera ważne informacje bezpieczeństwa, montażu oraz obsługi.

- należy uważnie zapoznać się z niniejszą instrukcją obsługi, ponieważ zawiera ona ważne informacje dotyczące elementów bezpieczeństwa, montażu i użytkowania
- podane zalecenia odnoszą się do opisanego produktu
- niniejszy produkt jest zgodny z obowiązującymi normami
- instrukcję należy zachować do przyszłego użytku
- produkt powinien znajdować się poza zasięgiem dzieci
- w razie sprzedaży lub przeniesienia produktu w inne miejsce, należy upewnić się, że personel obsługi oraz serwisanci zapoznali się z zaleceniami dotyczącymi obsługi i instalacji podanymi w załączonej instrukcji
- urządzenie mogą obsługiwać tylko upoważnione do tego osoby
- nie należy pozostawiać włączonego urządzenia bez nadzoru
- zalecamy, aby produkt był sprawdzany przez profesjonalny serwis przynajmniej raz w roku
- w razie napraw, należy używać wyłącznie oryginalnych części zamiennych
- produktu nie należy czyścić strumieniami wody lub ciśnieniowo
- w razie uszkodzenia lub awarii, należy odłączyć wszystkie przewody zasilające (wodne, gazowe, elektryczne) i wezwać fachowy serwis
- producent nie bierze odpowiedzialności za szkody powstałe z powodu niewłaściwego montażu, nieprzestrzegania powyższych zaleceń, użytkowania niezgodnego z przeznaczeniem, itp.
- Produkt jest przeznaczony do użytku tylko w pomieszczeniach.



Nigdy nie używaj urządzenia, jeśli przewód zasilający lub wtyczka zostały uszkodzone, jeśli nie działa prawidłowo, spadł na ziemię i został uszkodzony lub wpadł do wody. W takich przypadkach należy zanieść urządzenie do specjalistycznej służby, aby sprawdzić jego bezpieczeństwo i prawidłowe działanie

INFORMACJA O INSTALACJI, UMIEJSCOWIENIE

Do regulacji i instalacji urządzenia jest konieczne, by pomieszczenie - kuchnia - było odpowiednio wietrzane (wg istniejących norm). Jeżeli urządzenie będzie umieszczone tak, że będzie stykać się ze ścianą pomieszczenia (kuchni), musi być ściana odporna na temperaturę powyżej 60°C.

Ważne jest by po odpakowaniu urządzenia, skontrolować czy urządzenie nie zostało uszkodzone w czasie transportu. Urządzenie umieścić na poziomej powierzchni (z max nierównościami do 2°). Drobne nierówności można wyrównać za pomocą nożek.

Urządzenie może być instalowane oddzielnie lub w serii z innymi urządzeniami naszej produkcji. Jest ważne utrzymać odległość 10 cm od materiałów łatwopalnych. W takim przypadku ważne jest dodatkowe zabezpieczenie materiałami izolującymi.

Ważne

Producent nie odpowiada za usterki, które powstały na skutek nieodpowiedniej eksploatacji urządzenia wbrew instrukcji obsługi.

Poniższe instrukcje przeznaczone są dla wykwalif kowanego pracownika autoryzowanego serwisu, aby przeprowadził instalację w poprawny sposób, zgodnie z obowiązującymi normami.

Jakakolwiek regulacja powinna być przeprowadzona przy urządzeniu odłączonym od sieci. Jeśli jednak zaistnieje konieczność regulacji w trakcie pracy urządzenia, należy zachować szczególną ostrożność.

INSTALACJA

Instalacja, naprawy i ustawienia urządzeń do kuchni profesjonalnych i demontaż mogą być przeprowadzane tylko na podstawie umowy o utrzymywaniu. Taka umowa może być podpisana ze sprzedawcą urządzenia. Muszą być zachowane wszystkie normy i przepisy dotyczące instalacji i bezpieczeństwa pracy.

Wentylacja pomieszczenia musi być odpowiednio zaprojektowana, wg. istniejących przepisów i norm. Urządzenie może być zainstalowane samodzielnie lub w serii z innymi naszymi urządzeniami. Od ewentualnej ściany z łatwopalnego materiału musi być dotrzymany odstęp ponad 10cm.

PODŁĄCZENIE PRZEWODU ELEKTRYCZNEGO DO SIECI

Przewód elektryczny powinien posiadać oddzielny bezpiecznik, odpowiadający mocy instalowanego pieca. Moc urządzenia należy skontrolować na tabliczce znamionowej umieszczonej na bocznej ścianie urządzenia.

Przewód uziemiający musi być dłuższy od pozostałych przewodów. Urządzenie należy podłączyć bezpośrednio do sieci. Między urządzeniem a siecią należy zamontować wyłącznik zabezpieczający zgodny z normami. Przewód uziemiający (żółto-zielony) nie może być podłączony do tego wyłącznika.

Przewód elektr. powinien być umieszczony tak, aby w żadnym punkcie nie osiągnął temp. o 50° wyższej od otoczenia. Przed podłączeniem do sieci należy sprawdzić czy:

- bezpiecznik wewn. oraz instalacja są odpowiednie do obciążenia urządz.(patrz tabl. znam.)
- instalacja posiada uziemienie zgodne z normami
- wył. zabezp. jest łatwo dostępny

Producent nie ponosi odpowiedzialności w przypadku nie zachowania odpowiednich norm lub naruszenia w / w zasad.

Przed użyciem, urządzenie należy wyczyścić (patrz rozdz. czyszczenie i konserwacja). Urządzenie musi być uziemione za pomocą śruby z oznaczeniem uziemienia.



- Nie wkładaj wtyczki zasilania do źródła zasilania. szuflady i nie wyciągaj z el. gniazda z mokrymi rękami i ciągnąc za zasilaczem!

INSTRUKCJA OBSŁUGI

Ważne!

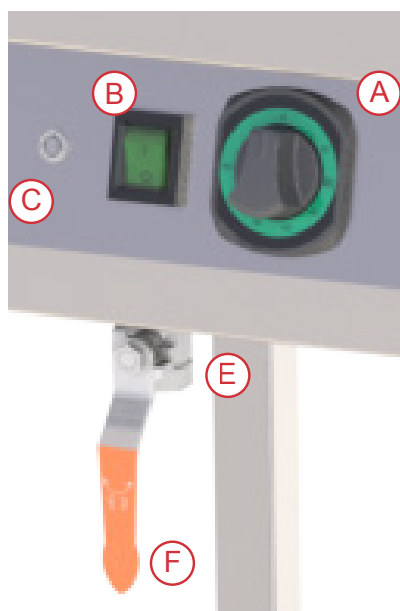
Przed pierwszym uruchomieniem urządzenia należy odkleić folię ochronną oraz przemyć pojemnik niewielką ilością ciepłej wody z płynem do mycia naczyń.

- 1) Sprawdzić czy zawór spustowy jest zamknięty
- 2) Napełnić urządzenie wodą do poziomu zaznaczonego na tylnej ścianie
- 3) Załączyć urządzenie wyłącznikiem głównym
- 4) Termostat z pozycji „0” ustawić na żądaną wartość w rozpięciu 30°C - 90°C
- 5) Kontrolki pracy i grzania będą świecić
- 6) Urządzenie wyłączymy przekręcając termostat w pozycję „0” i wyłączając wyłącznik główny.

- Kontrolka pracy świeci, gdy urządzenie jest podłączone do prądu
- Kontrolka grzania świeci, jeśli są załączone grzałki
- Kontrolka grzania zgaśnie, jeśli urządzenie zagrzeje się do żądanej temperatury

Wypuszczenie wody z wanny

- Użytkownik powinien się zaopatrzyć w odpowiedni pojemnik do wypuszczenia wody z wanny
- Pojemnik powinien być z materiału odpornego na wysoką temperaturę oraz powinien być umieszczony tak, aby zapobiec zamoczeniu podłogi
- Nasadzić rurkę odpływu według rysunku
- Dźwignię F obrócić w dół do położenia pionowego, aby otworzyć zawór i wypuścić zawartość wanny
- Wannę wypuszczać gdy woda jest chłodna.



- (A) Pokrętło regulacyjne
- (B) Wyłącznik główny podświetlany
- (C) Kontrolka grzania (pomarańczowa)
- (E) Zawór wypuszczania wody
- (F) Dźwignia zaworu

CZYSZCZENIE I KONSERWACJA

Zaleca się kontrolę urządzenia przez profesjonalny serwis 2 razy w roku. Wszystkie interwencje w urządzeniu może przeprowadzać tylko przeszkolona osoba, która ma wymagane do tego uprawnienia.

Uwaga! Przed rozpoczęciem używania urządzenia należy ściągnąć z całej powierzchni folię ochronną oraz przemyć urządzenie wodą z płynem do naczyń, a następnie przetrzeć wilgotną szmatką.

- Czyszczenie przede wszystkim powierzchni, która jest w kontakcie z żywnością musimy przeprowadzać codziennie i bardzo dokładnie.
- Części nierdzewnych nie wolno czyścić pastami gruboziarnistymi lub środkami agresywnymi.
- Do czyszczenia nie używać papierów ściernych.
- W razie silnego zabrudzenia powierzchni dopuszczalne jest użycie gąbki z utwardzoną powierzchnią.
- Urządzenie czyścić wyłącznie zimne - w przeciwnym wypadku grozi to oparzeniem.
- W czasie dłuższej przerwy w eksploatacji urządzenia należy je zakonserwować olejem jadalnym i wyłączyć zasilanie elektryczne.
- Urządzenia nie należy czyścić wodą pod ciśnieniem (z węża).

Czyszczenie i konserwacja płyty stalowej:

- rozgrzać
- wyłączyć
- oczyścić metalową szpachelką
- nanieść wodę z odpowiednim środkiem chemicznym (np. RM Grill) i wytrzeć resztki brudu i osadów
- nanieść czystą wodę (odpowiedni jest roztwór z octem lub sokiem z cytryny)
- zebrać wodę i osuszyć powierzchnię szmatką
- pozostawić, aby resztki wilgoci wyparowała z płyty (dobrze jeśli będzie jeszcze ciepła)
- posmarować płytę grilla olejem roślinnym

Czyszczenie i konserwacja płyty chromowanej:

- rozgrzać
- wyłączyć
- oczyścić szpachelką z tworzywa
- nanieść wodę z detergentem i wyczyścić gąbką
- nanieść czystą wodę
- zebrać wodę i osuszyć powierzchnię szmatką
- pozostawić, aby resztki wilgoci wyparowała z płyty (dobrze jeśli będzie jeszcze ciepła)



W razie awarii:

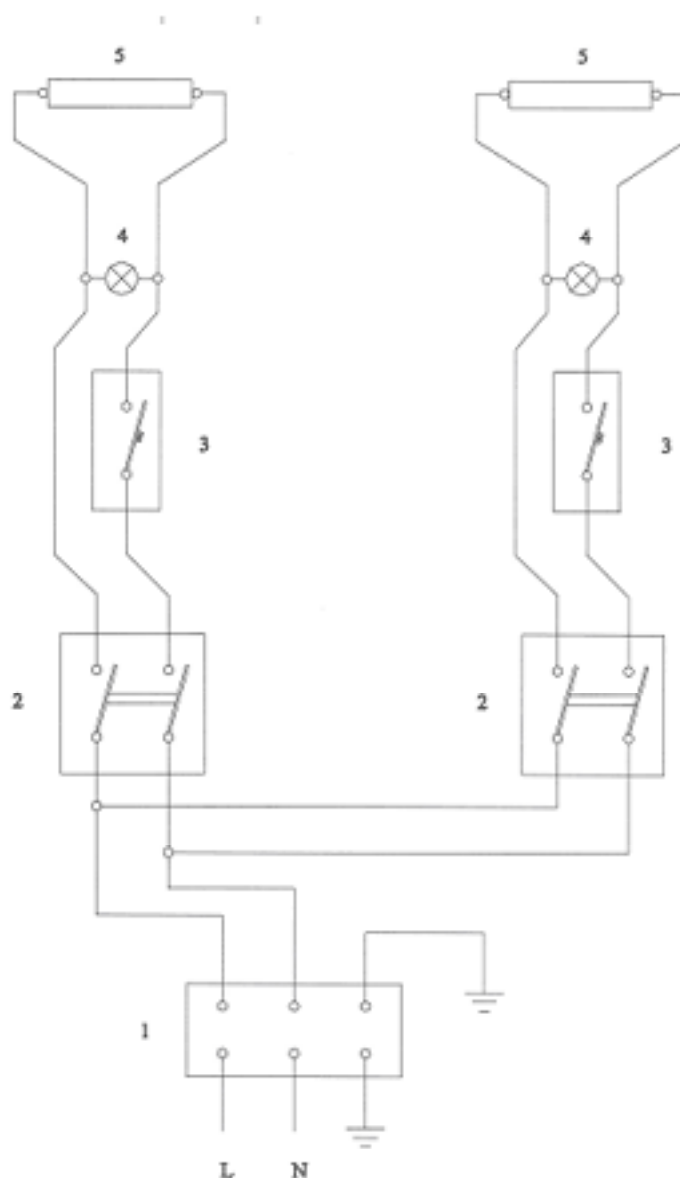
Odłączyć zasilanie elektryczne. Wezwać autoryzowany serwis.

GWARANCJA

Gwarancja nie obejmuje żadnych części, które podlegają naturalnemu zużyciu (uszczelki, żarówki, części plastikowe i szklane itp.) Gwarancja nie obejmuje również urządzenia jeśli podłączone było nie zgodnie z instrukcją lub przez osoby nie posiadające odpowiednich uprawnień. Gwarancja nie obejmuje uszkodzeń spowodowanych warunkami atmosferycznymi lub przez osoby trzecie.

SCHÉMA ZAPOJENÍ: BMP(S) 2120 (CS)

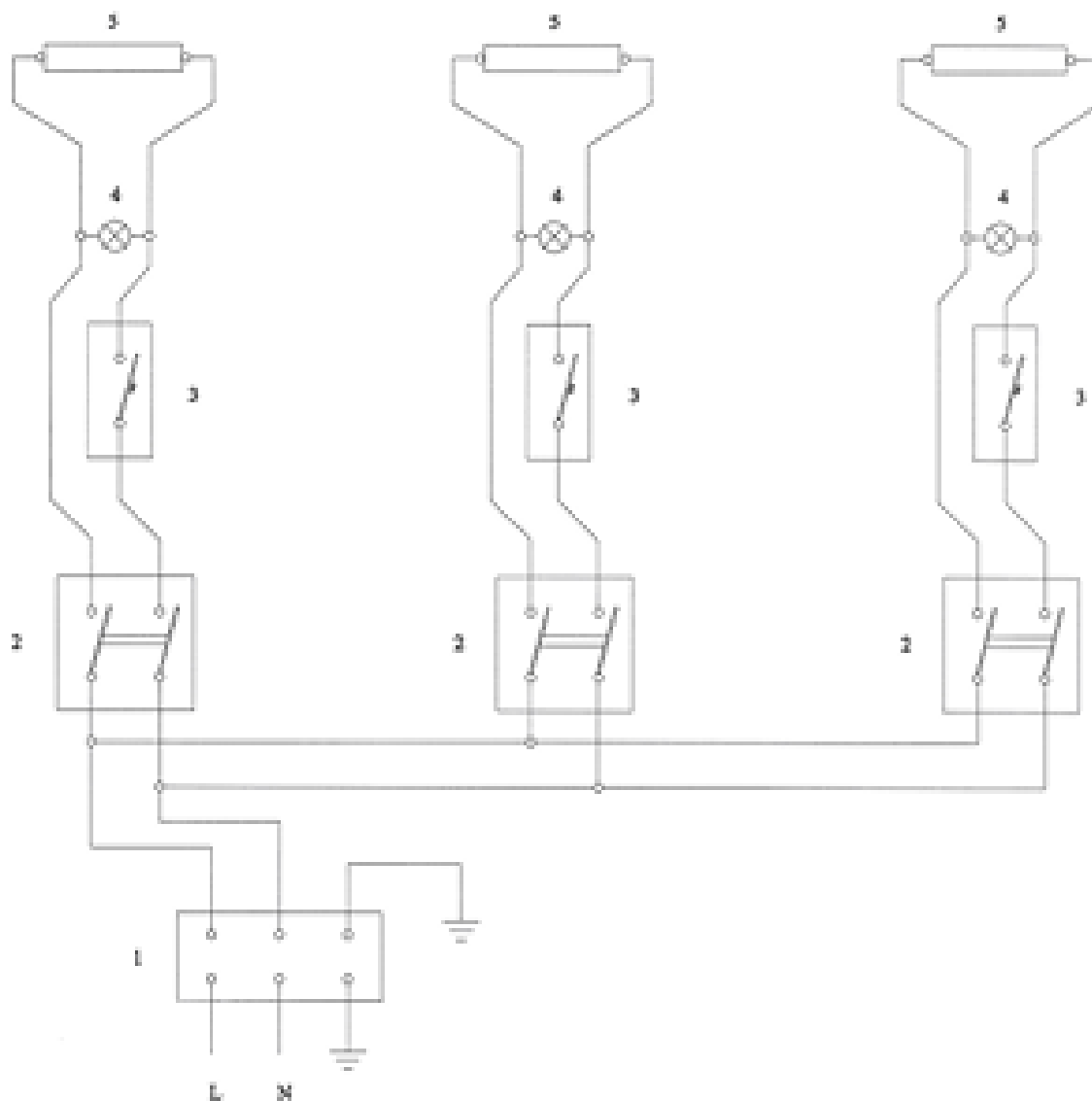
SCHEMAT PODŁ ACZFNIA · BMP(S) 2120 (CS)



- ① Listwa zasilająca
- ② Wyłącznik główny
- ③ Termostat pracy
- ④ Kontrolka grzania
- ⑤ Grzałka

1- SVORKOVNICE	17- TOPNÉ TĚLESO
2- VYPÍNAČ O/I	18- PLOTÝNKA
3- VYPÍNAČ PROSVĚTLENÝ O/I	19- TRANSFORMÁTOR
4- PŘEPÍNAČ OTOČNÝ	20- POJISTKA
5- TLAČÍTKOVÝ SPÍNAČ	21- RHEOSTAT
6- KONCOVÝ SPÍNAČ	22- TERMOČLÁNEK
7- MIKROSPÍNAČ	23- ČIDLO
8- RELÉ	24- MOTOR ZDVIHU
9- KONTAKTY RELÉ	25- MOTOR VENTILÁTRU
10- ČASOVÝ SPÍNAČ	26- KONDENZÁTOR ROZBĚHOVÝ
11- TERMOSTAT PRACOVNÍ	27- ZAPALOVACÍ SVÍČKA
12- TERMOSTAT POJISTNÝ	28- PLYNOVÝ VENTIL (SIT)
13- KONTROLKA ORANŽOVÁ	29- ZÁSUVKA
14- KONTROLKA ZELENÁ	30- DIGITÁLNÍ TEPLMĚR
15- DIODA	31- ŘÍDÍCÍ JEDNOTKA
16- VNITŘNÍ OSVĚTLENÍ	

SCHÉMA ZAPOJENÍ: BMP(S) 3120 (CS) SCHEMAT PODŁĄCZENIA: BMP(S) 3120 (CS)

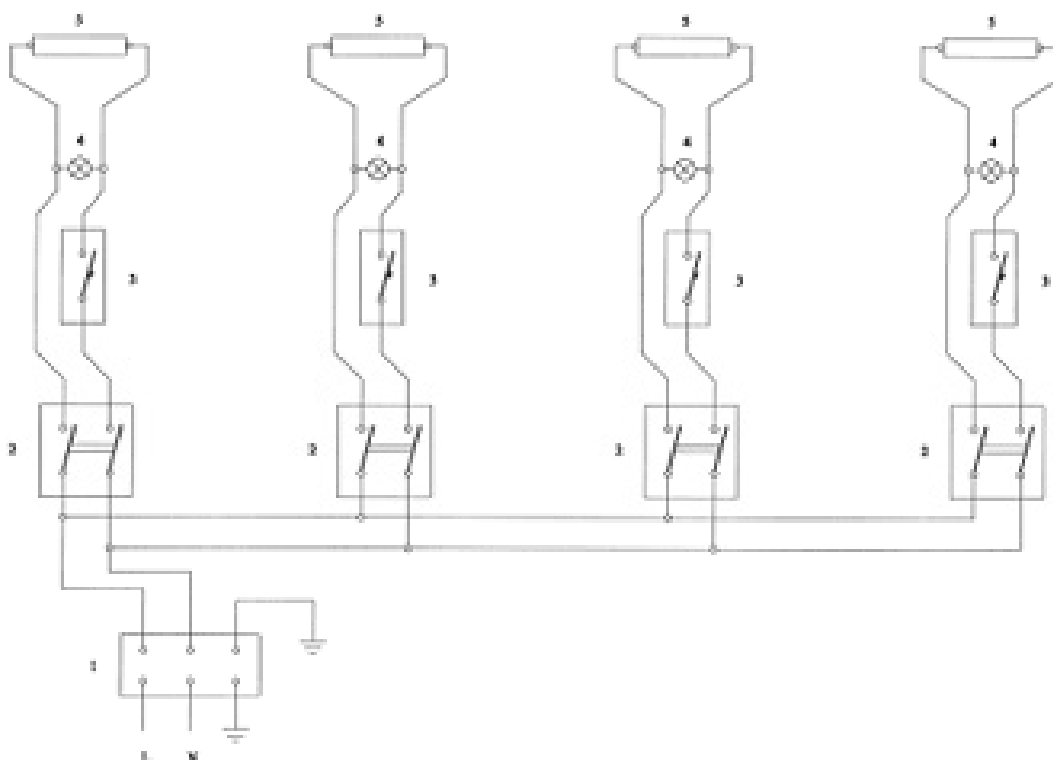


- ① Listwa zasilająca
- ② Wyłącznik główny
- ③ Termostat pracy
- ④ Kontrolka grzania
- ⑤ Grzałka

1- SVORKOVNICE	17- TOPNÉ TĚLESO
2- VYPÍNAČ O/I	18- PLOTÝNKA
3- VYPÍNAČ PROSVĚTLENÝ O/I	19- TRANSFORMÁTOR
4- PŘEPÍNAČ OTOČNÝ	20- POJISTKA
5- TLAČÍTKOVÝ SPÍNAČ	21- RHEOSTAT
6- KONCOVÝ SPÍNAČ	22- TERMOČLÁNEK
7- MIKROSPÍNAČ	23- ČIDLO
8- RELÉ	24- MOTOR ZDVIHU
9- KONTAKTY RELÉ	25- MOTOR VENTILÁTRU
10- ČASOVÝ SPÍNAČ	26- KONDENZÁTOR ROZBĚHOVÝ
11- TERMOSTAT PRACOVNÍ	27- ZAPALOVACÍ SVÍČKA
12- TERMOSTAT POJISTNÝ	28- PLYNOVÝ VENTIL (SIT)
13- KONTROLKA ORANŽOVÁ	29- ZÁSUVKA
14- KONTROLKA ZELENÁ	30- DIGITÁLNÍ TEPLMĚR
15- DIODA	31- ŘÍDÍCÍ JEDNOTKA
16- VNITŘNÍ OSVĚTLENÍ	

SCHÉMA ZAPOJENÍ: BMP(S) 4120 (CS)

SCHEMAT PODŁĄCZENIA: BMP(S) 4120 (CS)

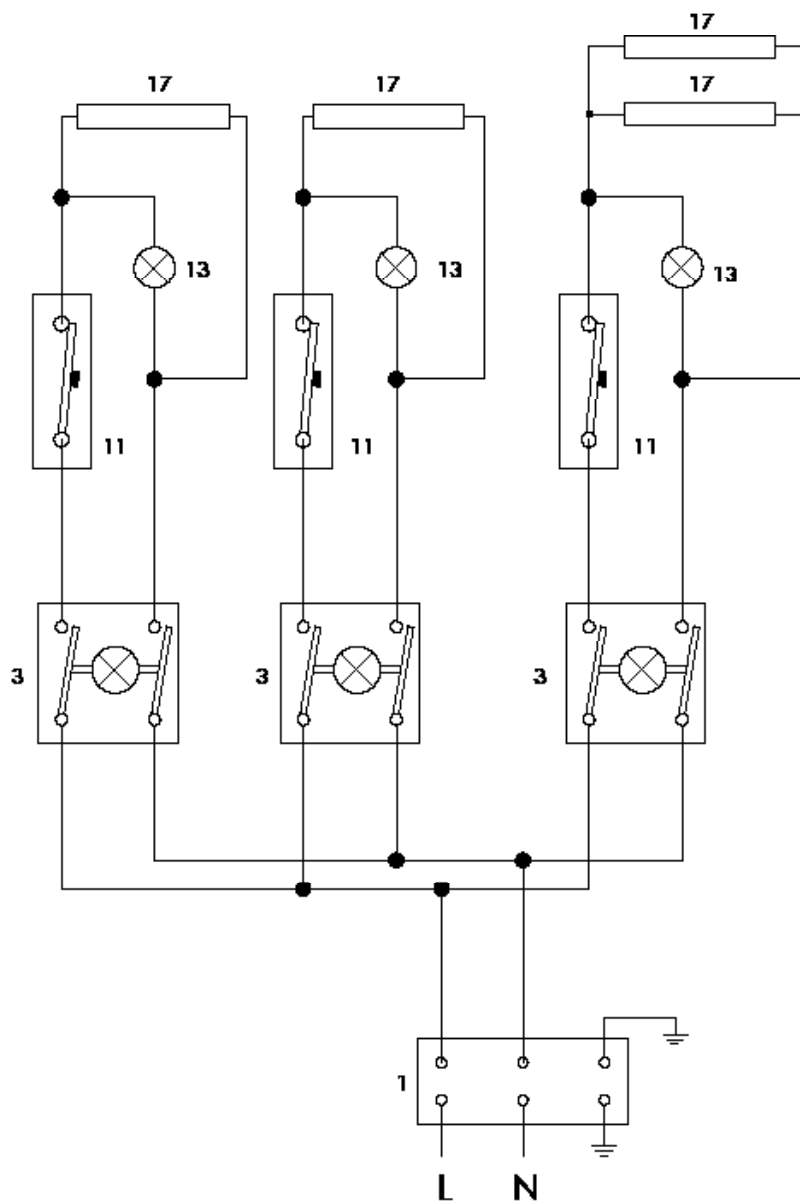


- ① Listwa zasilająca
- ② Wyłącznik główny
- ③ Termostat pracy
- ④ Kontrolka grzania
- ⑤ Grzałka

1- SVORKOVNICE	17- TOPNÉ TĚLESO
2- VYPÍNAČ O/I	18- PLOTÝNKA
3- VYPÍNAČ PROSVĚTLENÝ O/I	19- TRANSFORMÁTOR
4- PŘEPÍNAČ OTOČNÝ	20- POJISTKA
5- TLAČÍTKOVÝ SPÍNAČ	21- RHEOSTAT
6- KONCOVÝ SPÍNAČ	22- TERMOČLÁNEK
7- MIKROSPÍNAČ	23- ČIDLO
8- RELÉ	24- MOTOR ZDVIHU
9- KONTAKTY RELÉ	25- MOTOR VENTILÁTRU
10- ČASOVÝ SPÍNAČ	26- KONDENZÁTOR ROZBĚHOVÝ
11- TERMOSTAT PRACOVNÍ	27- ZAPALOVACÍ SVÍČKA
12- TERMOSTAT POJISTNÝ	28- PLYNOVÝ VENTIL (SIT)
13- KONTROLKA ORANŽOVÁ	29- ZÁSUVKA
14- KONTROLKA ZELENÁ	30- DIGITÁLNÍ TEPLMĚR
15- DIODA	31- ŘÍDÍCÍ JEDNOTKA
16- VNITŘNÍ OSVĚTLENÍ	

SCHÉMA ZAPOJENÍ: BMP(S) 2120 CSH

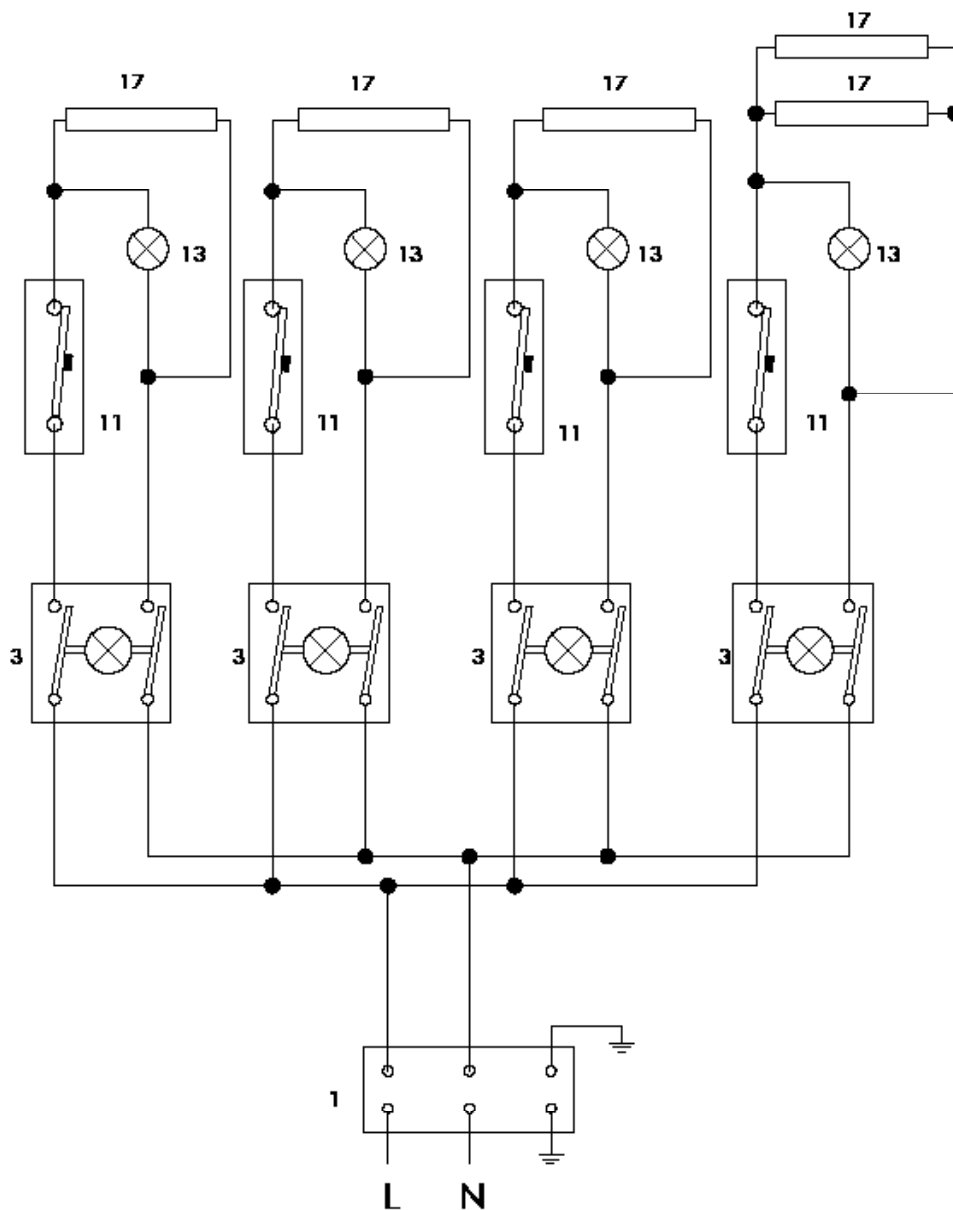
SCHEMAT PODŁĄCZENIA: BMP(S) 2120 CSH



1- SVORKOVNICE	17- TOPNÉ TĚLESO
2- VYPÍNAČ O/I	18- PLOTÝNKA
3- VYPÍNAČ PROSVĚTLENÝ O/I	19- TRANSFORMÁTOR
4- PŘEPÍNAČ OTOČNÝ	20- POJISTKA
5- TLAČÍTKOVÝ SPÍNAČ	21- RHEOSTAT
6- KONCOVÝ SPÍNAČ	22- TERMOČLÁNEK
7- MIKROSPÍNAČ	23- ČIDLO
8- RELÉ	24- MOTOR ZDVIHU
9- KONTAKTY RELÉ	25- MOTOR VENTILÁTROU
10- ČASOVÝ SPÍNAČ	26- KONDENZÁTOR ROZBĚHOVÝ
11- TERMOSTAT PRACOVNÍ	27- ZAPALOVACÍ SVÍČKA
12- TERMOSTAT POJISTNÝ	28- PLYNOVÝ VENTIL (SIT)
13- KONTROLKA ORANŽOVÁ	29- ZÁSUVKA
14- KONTROLKA ZELENÁ	30- DIGITÁLNÍ TEPLOMĚR
15- DIODA	31- ŘÍDÍCÍ JEDNOTKA
16- VNITŘNÍ OSVĚTLENÍ	

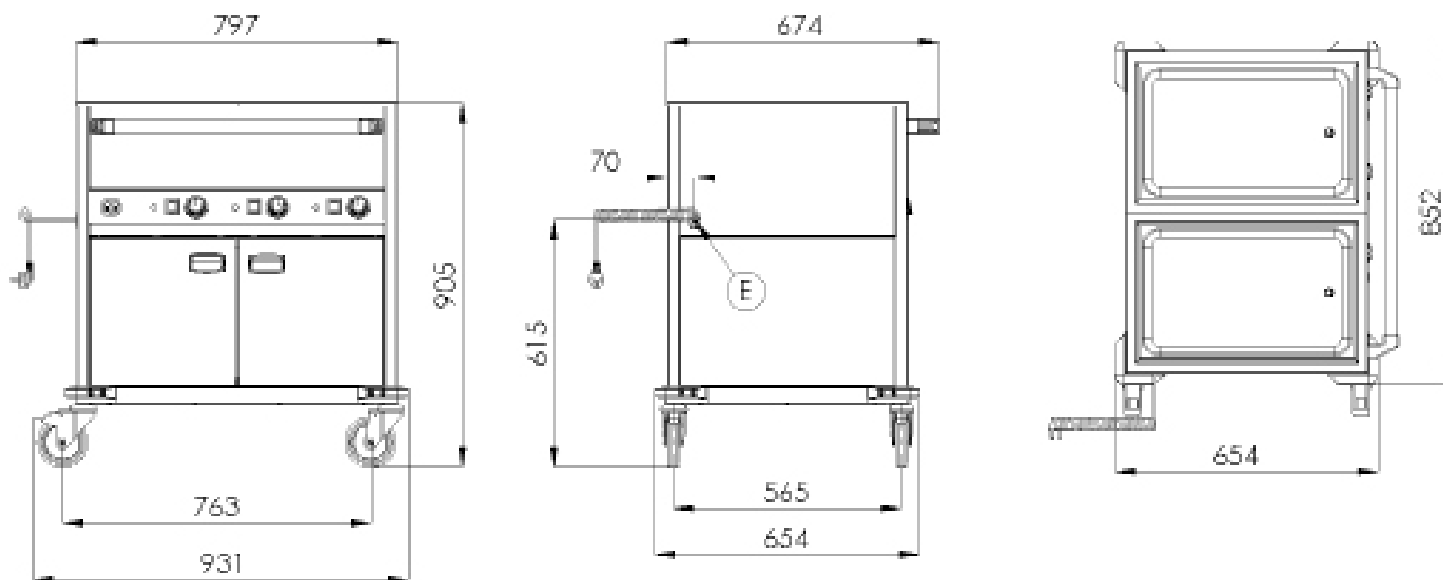
SCHÉMA ZAPOJENÍ: BMP(S) 3120 CSH

SCHEMAT PODŁĄCZENIA: BMP(S) 3120 CSH

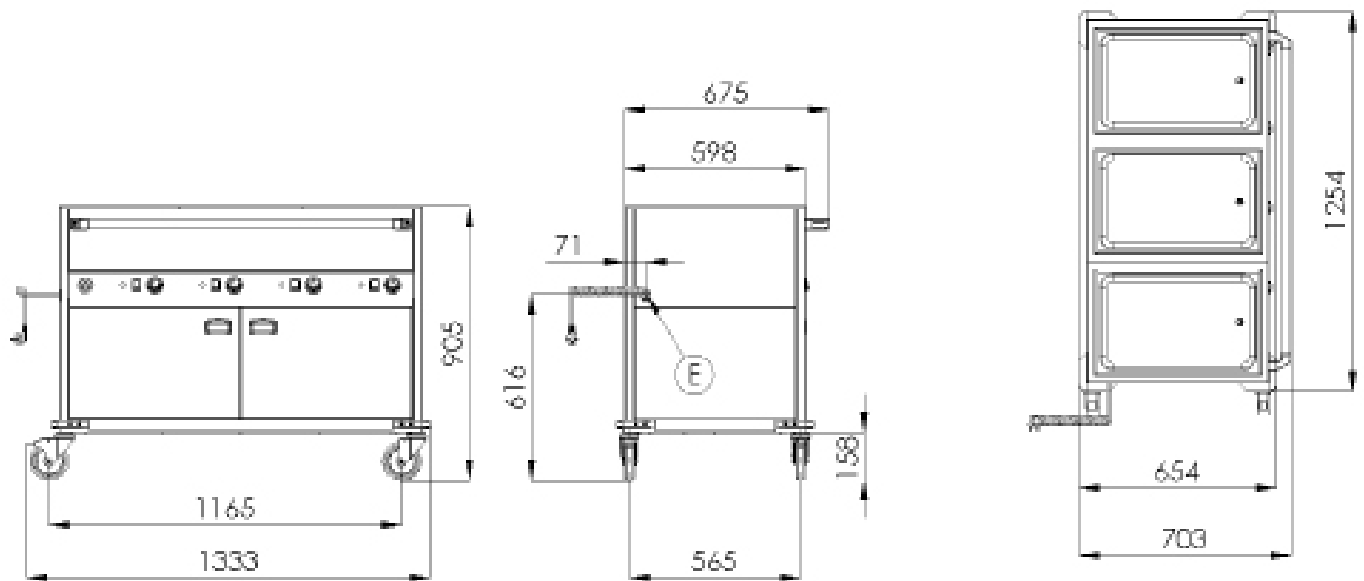


1- SVORKOVNICE	17- TOPNÉ TĚLESO
2- VYPÍNAČ O/I	18- PLOTÝNKA
3- VYPÍNAČ PROSVĚTLENÝ O/I	19- TRANSFORMÁTOR
4- PŘEPÍNAČ OTOČNÝ	20- POJISTKA
5- TLAČÍTKOVÝ SPÍNAČ	21- RHEOSTAT
6- KONCOVÝ SPÍNAČ	22- TERMOČLÁNEK
7- MIKROSPÍNAČ	23- ČIDLO
8- RELÉ	24- MOTOR ZDVIHU
9- KONTAKTY RELÉ	25- MOTOR VENTILÁTRU
10- ČASOVÝ SPÍNAČ	26- KONDENZÁTOR ROZBĚHOVÝ
11- TERMOSTAT PRACOVNÍ	27- ZAPALOVACÍ SVÍČKA
12- TERMOSTAT POJISTNÝ	28- PLYNOVÝ VENTIL (SIT)
13- KONTROLKA ORANŽOVÁ	29- ZÁSUVKA
14- KONTROLKA ZELENÁ	30- DIGITÁLNÍ TEPLMÉR
15- DIODA	31- ŘÍDÍCÍ JEDNOTKA
16- VNITŘNÍ OSVĚTLENÍ	

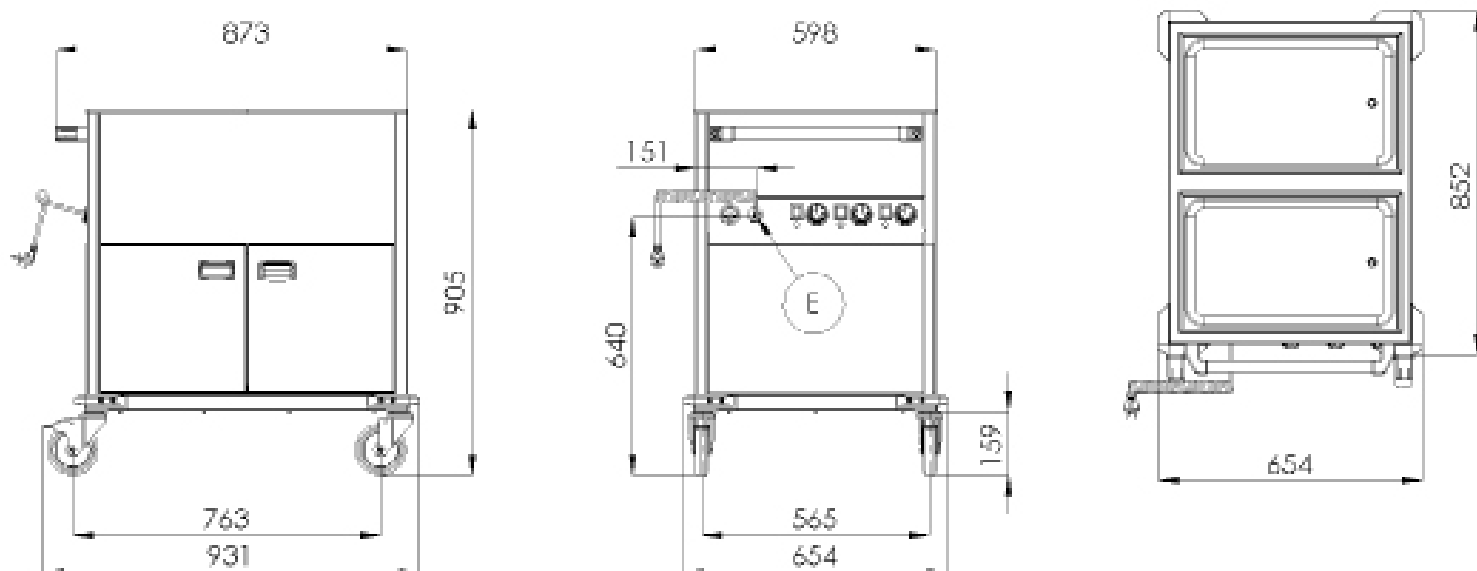
ROZMĚROVÝ OBRÁZEK: BMPD-2120 CSH
RYSUNEK WYMIAROWY: BMPD-2120 CSH



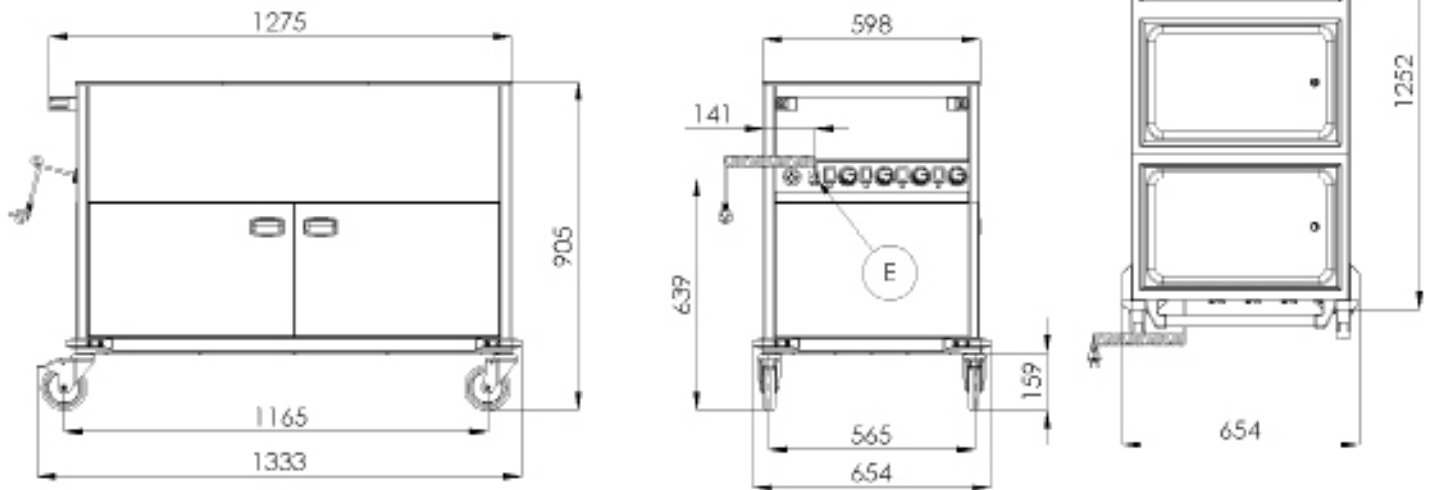
ROZMĚROVÝ OBRÁZEK: BMPD-3120 CSH
RYSUNEK WYMIAROWY: BMPD-3120 CSH



ROZMĚROVÝ OBRÁZEK: BMPK-2120 CSH
RYSUNEK WYMIAROWY: BMPK-2120 CSH



ROZMĚROVÝ OBRÁZEK: BMPK-3120 CSH
RYSUNEK WYMIAROWY: BMPK-3120 CSH



IZJAVA O SAGLASNOSTI SA NORMAMA

Proizvodjač proglašava da uređaji ispunjavaju norme evropskog parlamenta i savjeta 2004/108/ES, 2006/95/ES. Instalacija mora biti provedena prema važećim normama.

Pozor, proizvođač ne snosi odgovornost u slučaju direktnog i/ili indirektnog oštećenja, a koje može biti uzrokovano neodgovornom ili neprofesionalnom instalacijom, neispravnom opravom i/ili korištenjem, nedovoljnim održavanjem i čišćenjem, te ostalim faktorima koji su uvedeni u uputstvu, odnosno uslovima prodaje. Ovaj uređaj je namijenjen samo k profesionalnom korišćenju i upotrebi, tako da mora biti servisiran samo kvalifikovanim osobljem. Dijelovi koji su bili instalirani od strane proizvođača ili njim povjerene osobe, ne smije korisnik mijenjati, niti opravljati.

TEHNIČKI PODACI

Naljepnica sa tehničkim podacima se nalazi sa zadnje ili bočne strane aparata. Prije nego što aparat počnete koristiti prostudirajte shemu elektr. instalacije i ostale odgovarajuće informacije.

Model	Napon (V / Hz)	Snaga (kW)	Razmjer (cm)
BMPD - 2120	230 / 50	1 400	85 x 70 x 90
BMPK - 2120	230 / 50	1 400	90 x 70 x 85
BMPD - 3120	230 / 50	2 100	125 x 70 x 90
BMPK - 3120	230 / 50	2 100	130 x 65 x 90
BMPD - 4120	230 / 50	2 800	165 x 70 x 90
BMPK - 4120	230 / 50	2 800	17 x 65 x 90
BMSD - 2120	230 / 50	1 400	80 x 60 x 90
BMSK - 2120	230 / 50	1 400	80 x 60 x 90
BMSD - 3120	230 / 50	2 100	120 x 60 x 90
BMSK - 3120	230 / 50	2 100	120 x 60 x 90
BMSD - 4120	230 / 50	2 800	160 x 60 x 90
BMSK - 4120	230 / 50	2 800	160 x 60 x 90
BMPK - 2120 CS	230 / 50	1 400	85 x 70 x 90
BMPD - 3120 CS	230 / 50	2100	130 x 65 x 90
BMPK - 3120 CS	230 / 50	2100	130 x 65 x 90

KONTROLA PAKOVANJA I APARATA

Uredjaj napušta naše skladište uredno zapakovan, na pakovanju se nalaze simboli i opis tipa aparata. U pakovanju ćete naći uputstvo za upotrebu. Ukoliko bi se na pakovanju vidjelo da je s njim bilo loše manipulirano, da je pakovanje oštećeno, morate to odmah riješiti sa prijevoznikom, a to tako što ćete s njim napisati i obostrano potpisati protokol o šteti. Kasnije reklamacije nećemo uzimati u obzir.



Važno upozorenje

Ovo uputstvo mora biti pažljivo pročitano, budući da sadrži bitne informacije o sigurnosti, instalaciji i korištenju.

- Ove preporuke se odnose na ovaj proizvod ili liniju proizvoda.
- Ovo uputstvo se treba sačuvati i za buduće korištenje.
- Zabranite djeci da koriste uređaj.
- Prilikom preprodaje ili izmjene pozicije uređaja, neophodno je upoznati servis i osoblje sa priloženim uputstvom za upotrebu i instalaciju.
- Uredjaj smije koristiti samo poslušač koji je upoznat sa uputstvom.
- Nesmijete ostavljati uređaj bez nadzora.
- Preporučuje se kontrola autorizovanim servisom minimalno 2x godišnje.
- U slučaju oprave ili izmjene rezervnog dijela, koristite samo originalne dijelove.
- Uredjaj se ne smije čistiti vodom pod pritiskom (tuš ili crijevo sa vodom).
- U slučaju kvara, isključite aparat iz struje, prekinite dovod vode i/ili plina, a potom se obratite na autorizovani servis.
- Proizodjač ne snosi odgovornost u slučaju pogrešne instalacije, nedodržavanjem gore navedenih preporuka, odnosno neodgovornim korištenjem i sl..
- Uredjaj smije biti korišten samo k tomu čemu je namijenjen, drugi način korištenja može uzrokovati oštećenje aparata ili, čak, tjelesne povrede.
- Moramo najstrožije dodržavati pravila protivpožarne zaštite.

POZICIJA

Za ispravan rad i položaj aparata neophodno je dodržavati smjernice i norme propisane u uputstvu.

Raspakujte uređaj i prekontrolirajte da se nije slučajno oštetiо tijekom transporta. Smjestite uređaj na vodoravnu podlogu (maksimalna neravnina do 2°). Male neravnine možemo regulirati nožicama.

Ako je aparat smješten tako da će biti u neposrednoj blizini namještaja, taj mora biti otporan na toplotu od 60°C. Instalaciju, podešavanje i početak korištenja mora biti proveden kvalifikovanim osobom, koja je k tomu povjerena od strane autorizovanog servisa.

Uredjaj može biti instaliran samostalno ili u seriji sa ostalim našim proizvodima. Obavezno dodržavajte minimalnu udaljenost 10 cm od lako zapaljivih predmeta. U takvom slučaju, moraju biti provedene određene izmjene kako bi izolirale zapaljive materijale.

Uredjaj smije biti instaliran samo na nezapaljivoj površini i pored vatrostalnog zida.

INSTALACIJE

Važno:

Proizvodjač ne daje nikakvu garanciju na greške uzrokovane neispravnim korištenjem, nepridržavanjem danih instrukcija ili neodgovornim korištenjem proizvoda.

Instalaciju, izmjene i oprave, a jednako tako i demontažu, ukoliko je aparat oštećen, može provesti samo odgovorna osoba, a to povjerena autorizovanim servisom. I to na osnovu ugovora o prodaji i održavanju koji može biti sklopljen samo sa oficijalnim predstavnikom proizvođača, a mora sadržavati sve tehničke propise i norme koje se tiču instalacije, dovoda struje i plina, te bezbjednosti rada.

Tehničke instrukcije za instalaciju i podešavanje služe samo SPECIJALIZIRANIM serviserima.

Instrukcije, koje slijede tiču se tehničara kvalifikovanih za instalaciju uređaja, a da bi to učinili na što korektniji i odgovorniji način, a to prema zadanim normama.

Bilo koja djelatnost vezana za regulaciju i sl., mora biti provedena samo kada je aparat isključen i prekinut dovod plina i/ili vode. Dok aparat ne isključite i odpojite, budite maksimalno oprezni i pažljivi prilikom rukovanja.

Kakav trebate koristiti odvod dima, možete vidjeti na naljepnici sa deklaracijom tipa aparata, radi se o aparatima tipa A1.

BEZBJEDNOSNE MJERE PROTIVPOŽARNE ZAŠTITE

- Koristiti uređaj smiju samo odrasle osobe.
- Uređaj smije biti korišten samo u tome namijenjenom prostoru.
- Uređaj postavite tako da stoji na vatrostalnoj podlozi.

Na uređaj i u njegovoj blizini ne smiju biti postavljeni lako zapaljivi predmeti (najmanja dozvoljena udaljenost između aparata i zapaljivih materijala je 10 cm).

- Informacije o stupnju zapaljivosti uobičajenih građevinskih materijala možete vidjeti na tabeli. Uređaj mora biti instaliran na bezbjednom mjestu. Prilikom instalacije moraju biti respektovani priloženi projektni materijali, sigurnosni i higijenski propisi.

Stupanj zapaljivosti	Gradjevinski materijal
A - nezapaljive	granit, pijesak, beton, cigle, keramičke pločice, žbuka
B - teško zapaljive	akumin, heraklit, lihnos, itaver
C1 - veoma zapaljive	drvo, sirkoklit, tvrdi papir, sadrokarton
C2 - srednje zapaljive	iverica, solodur, pluto, guma, linoleum
C3 - lehce hořlavé	dřevovláknité desky, polystyrén, polyureten, PVC

Uredjaji moraju biti instalirani na bezbijedan način. Prilikom instalacije uredjaja moraju biti respektovani predloženi projektni materijali, bezbijednosni i higijenski propisi.

PRIKLJUČIVANJE EL. KABLA U STRUJU

Instalacija dovoda struje - taj dovod mora imati svoj poseban osigurač. A to odgovarajući prema snazi i naponu instalovanog aparata. Ove podatke ćete naći na naljepnici sa zadnje ili bočne strane aparata.

Uzemljenje može biti duže od ostalih spojnica. Uredjaj pripojite direktno na struju, a neophodno je da instalirate medju uredjajem i strujom prekidač, i to na udaljenosti 3mm medju samostalnim kontaktima, tako da bi odgovarao važećim normama i opterećenju. Uzemljenje (žuto-zeleno) ne smije biti tim prekidačem prekinuto. Aparat je predvidjen da se uključi u utičnicu, ukoliko ima odgovarajući osigurač.

U svakom slučaju, dovod mora biti postavljen tako da kabel niti na jednom mjestu ne može imati toplotu višu za 50 stupnjeva od sredine u kojoj se nalazi. Prije nego što kabel spojite, uvjerite se da:

- osigurač i razvodi mogu podnijeti opterećenje samog aparata (pogledaj naljepnicu)
- razvodi imaju odgovarajuće uzemljenje a to prema normama i uslovima odredjenim zakonom
- utičnica ili prekidač su lako pristupni.

Ne preuzimamo bilo kakvu odgovornost u slučaju da se nisu dane instrukcije respektovale ili ako se nije postupalo prema danim uputama.

Prije prve upotrebe pročitajte poglavlje „čišćenje i održavanje“. Uredjaj mora biti uzemljen pomoću već označenih šarafa.

UPUTSTVO ZA UPOTREBU

Pozor!

Prije nego što počnete aparat koristiti, skinite sa njega zaštitnu foliju, dobro ga operite vodom i deterdžentom za sudje i potom obrišite vlažnom krpom.

Napunite aparat vodom do visine max 2 cm. Uključite gl. prekidač (B) okrenite regulator (A) iz položaja „0“ na vama željenu toplotu od 30°C do 90°C. Da je aparat uključen, signalizirat će lampica u gl. prekidaču. Lampica (C) svijetli kada su upaljeni grijači, a gasi se kada dostignu željenu toplotu. Aparat ćete isključiti tako što ćete regulator (A) okrenuti na poziciju „0“ i isključiti gl. prekidač (B). Redovno kontrolirajte nivo vode, ne koristite aparat bez vode. Aparat imajte uvijek pod kontrolom i koristite samo sa odgovarajućim gastro-posudama. Ukoliko ne koristite sve kade, neophodno ih je bez obzira popuniti gastroposudama kako bi zabranili nepotrebnom gubljenju toplote ili pare. U nekih modela, svaka kada ima svoje ovladanje.

Ukoliko duže vrijeme nećete aparat koristiti, odpojite kabel (D) iz struje i odložite na prikladno mjesto.

U mobilnih modela je obavezno zakočiti točkiće.

U stabilnih je potrebno bain marie nivelisati pomoću podešavanja nožica.

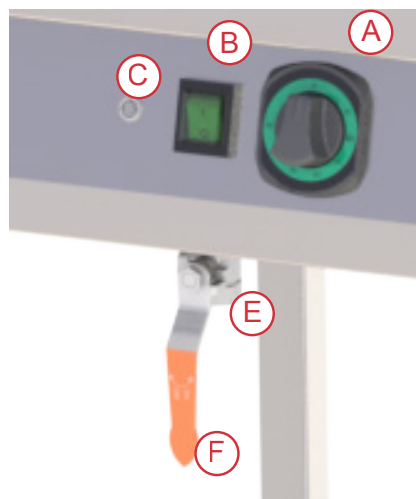
Ispuštanje posude:

Posudu izlijte ukoliko je voda hladna i aparat isključen iz struje.

Postupajte na sljedeći način:

Korisnik si treba pripremiti odgovarajuću posudu na ispuštenu vodu. Ta posuda mora biti od materijala otpornog na toplotu, a postavljena tako da ne bi došlo do prskanja ili izlijevanja vode iz nje. Time ćemo izbjeći eventualna oštećenja ostalih uređaja ili namještaja u neposrednoj blizini. Ručicu ventila okrenite u položaj „otvoreno“ i time ćete ispustiti vodu iz kade. Vodu ispuštajte samo kada je ohladjena.


- A) Regulator toplote
- B) Gl. prekidač
- C) Kontrolna lampica toplote
- D) El. kabel
- E) Ispustni ventil
- F) Ručica isp. ventila



ČIŠĆENJE I ODRŽAVANJE

Aparat prekontrolišite barem 2 x godišnje autorizovanim serviserom. Bilo kakve oprave ili instalacije mogu biti provedene samo kvalifikovanom osobom koja je za takve zadatke odgovorna.

POZOR!

 Aparat ne smijete čistiti vodom koja je pod pritiskom; npr. tuš, crijevo. Čistite ga svakodnevno. Dnevno održavanje produžava život i upotrebnu vrijednost aparata. Prije početka čišćenja, provjerite da li ste aparat isključili iz struje. Uvijek provjerite glavni dovod. Dijelove od nehrdjajućeg čelika čistite vlažnom krpom i tekućim deterdžentom za sudje, potom operite čistom vodom i detaljno osušite. Nemojte koristiti abrazivna ili korozivna sredstva za čišćenje.

Pozor! Prije nego što počnete uređaj koristiti, obavezno sa njega skinite zaštitne folije i operite ga prema gore navedenim uputama.

Šta učiniti u slučaju kvara?

Isključite aparat iz struje i nazovite autorizovani servis.

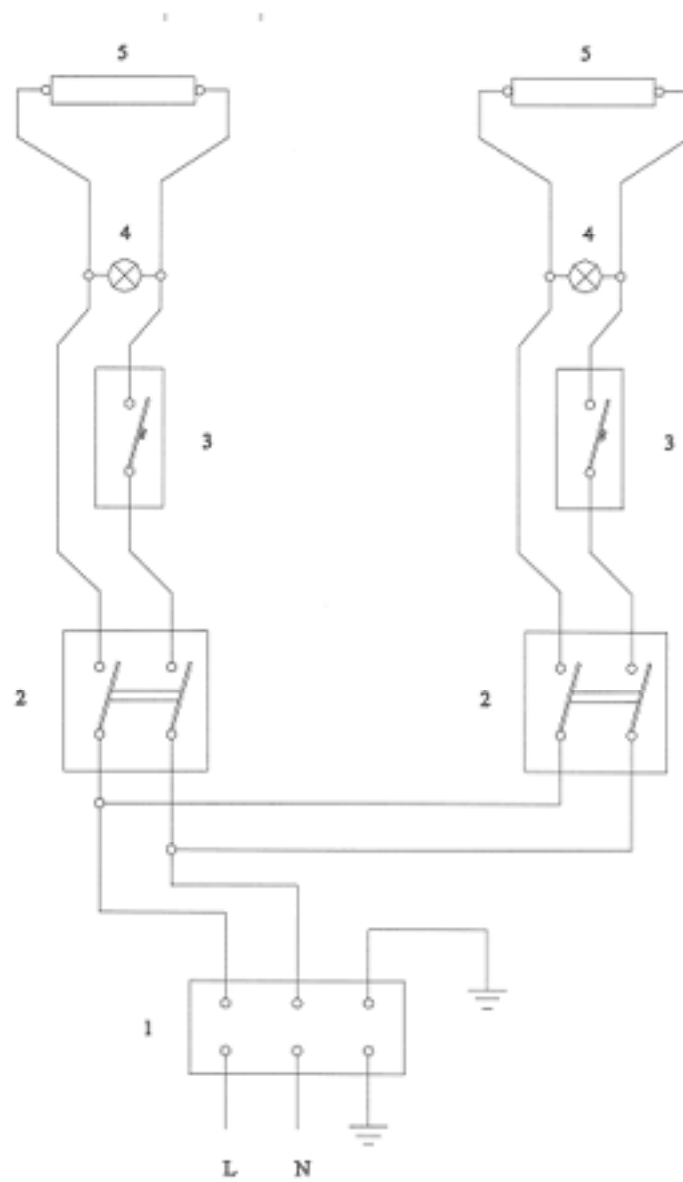
UPOZORENJE

Garancija se ne odnosi na potrošne dijelove (kao što su: gumice, lampice, stakleni i plastični dijelovi...). Garancija se također ne odnosi na uređaj koji nije priključen i instaliran prema uputama, odgovornim serviserom, a prema danim normama. Isto tako, ukoliko su bile napravljene izmjene ili oprave koje nisu predviđene (oprave unutrašnje instalacije) ili ako je uređaj korišten nepoučenim ili neprofesionalnim osobljem, odnosno protivno instrukcijama navedenim u uputstvu za upotrebu. Također, garancija ne vrijedi ukoliko ja aparat oštećen vanjskim ili klimatskim uticajima.

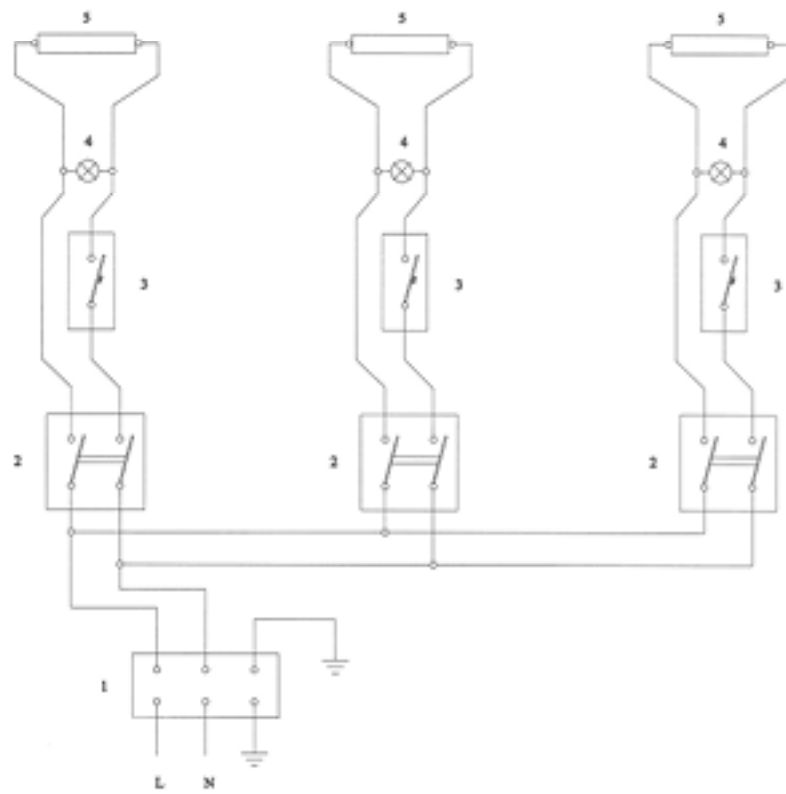
Neophodno je provoditi kontrolu uređaja svakih 6 mjeseci. Tu kontrolu treba da provede autorizovani serviser. U slučaju ne dodržavanja ove preporuke, proizvođač se ograđuje od bilo kakve odgovornosti za štetu na imovini ili zdravlju.

Ambalažu pakovanja i uređaj poslije kraja njegove upotrebne vrijednosti, predajte na otpad, a to prema danim propisima o likvidaciji.

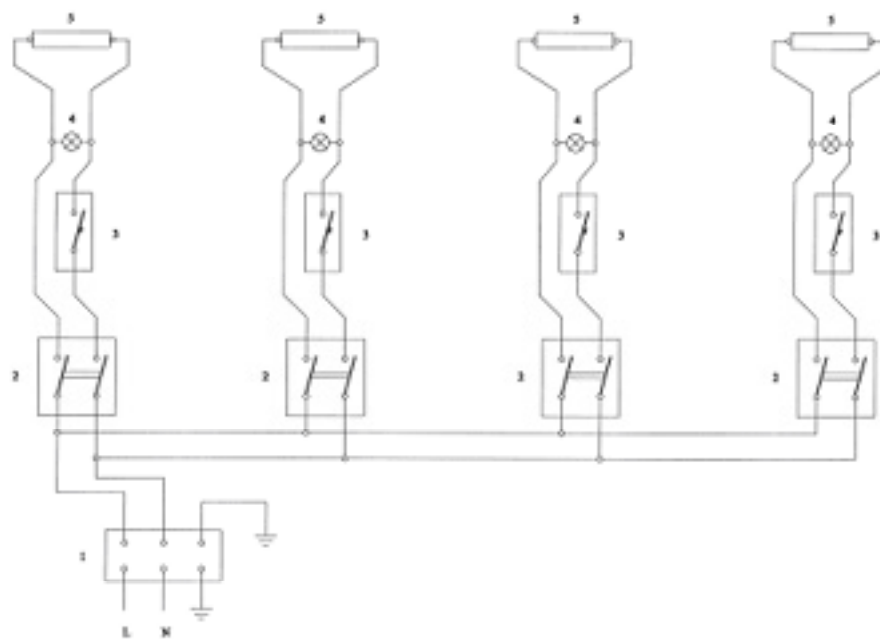
HEMA PRIKLJUČKA: BMP(S) 2120



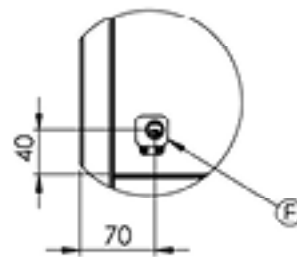
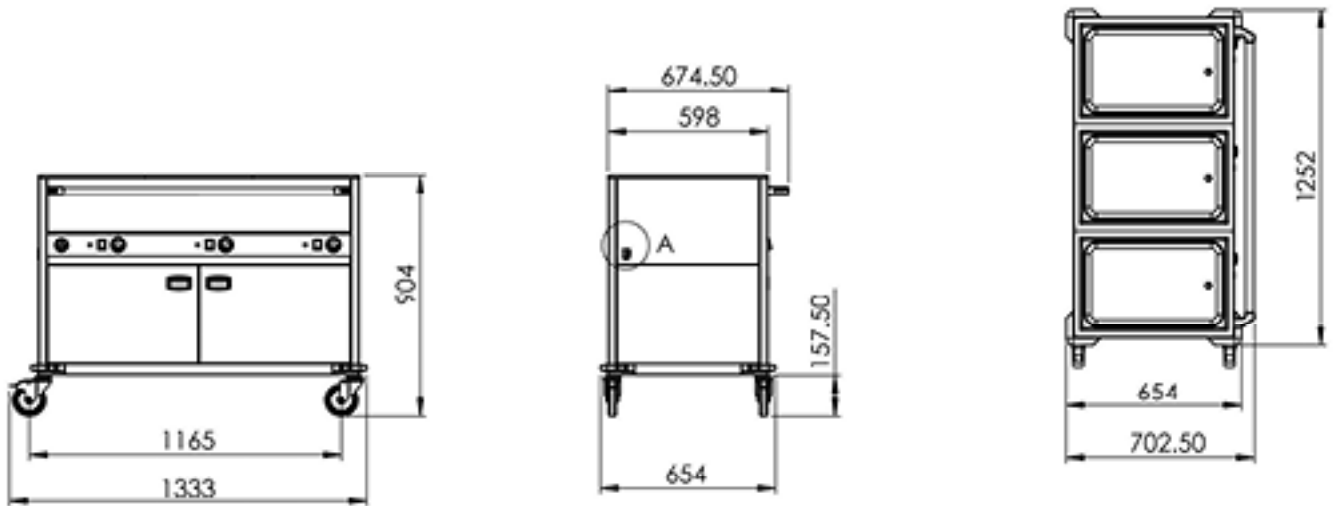
HEMA PRIKLJUČKA: BMP(S) 3120



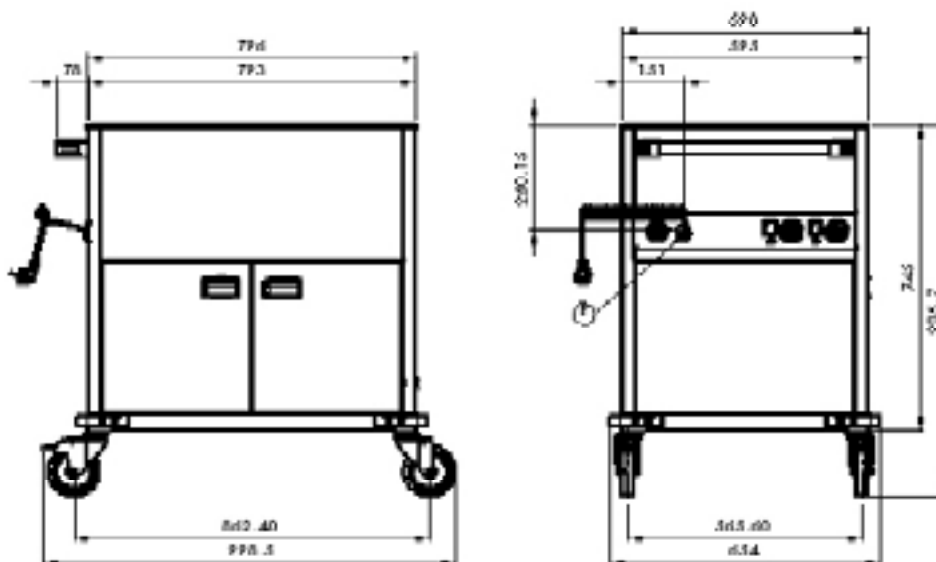
HEMA PRIKLJUČKA: BMP(S) 4120



DIMENZIONALNA SLIKA



DETAIL A
MÉRITKO 1 : 5



DECLARAȚIE DE CONFORMITATE CU NORMELE

Producenul erklærer, at anlæggene er i kompatibilitet med forskrifter 2004/108/ES, 2006/95/ES lov nr. 616/2006sb., nr. 17/2003 sb. og tilhørende regeringens forordninger. Installationen skal udføres med hensyn til de gældende normer. Læg mærke til, at producenten fraskriver sig ethvert ansvar i tilfælde af både direkte og indirekte skader, der har forbindelse med en forkert installation, et ukorrekt indgreb eller ændringer, utilstrækkelig vedligeholdelse, ukorrekt brug og skader, der er forårsaget af andre årsager end de anførte punkter, som er anført i salgsbetingelser. Anlægget er beregnet udelukkende til fagbrug og skal betjenes af kvalificerede personer. Dele, der blev sikret af producenten eller en bemandet medarbejder efter installationen, må ikke ombygges af brugeren.

Typepladen med tekniske data befinder sig på det bagerste del af anlægget. Læs grundigt det elektriske tilslutningsskema og alle følgende informationer før installeringen.

DATE TEHNICE

TIP	TENSIUNE (V / Hz)	PUTERE (W)	DIMENSIUNE (cm)
BMPD - 2120	230 / 50	1 400	84,7 x 67,4 x 90
BMPK - 2120	230 / 50	1 400	90,6 x 67,9 x 90
BMPD - 3120	230 / 50	2 100	124,9 x 67,4 x 90
BMPK - 3120	230 / 50	2 100	130,8 x 64,9 x 90
BMPD - 4120	230 / 50	2 800	165,1 x 67,4 x 90
BMPK - 4120	230 / 50	2 800	171 x 64,9 x 90
BMSD - 2120	230 / 50	1 400	79,7 x 59,8 x 90
BMSK - 2120	230 / 50	1 400	79,7 x 59,8 x 90
BMSD - 3120	230 / 50	2 100	119,9 x 59,8 x 90
BMSK - 3120	230 / 50	2 100	119,9 x 59,8 x 90
BMSD - 4120	230 / 50	2 800	160,1 x 59,8 x 90
BMSK - 4120	230 / 50	2 800	160,1 x 59,8 x 90
BMPK - 4120 CS	230 / 50	2 800	170 x 65 x 90
BMPK - 3120 CS	230 / 50	2 100	130 x 65 x 90
BMPK - 2120 CS	230 / 50	1 400	90 x 65 x 90
BMPD - 2120 CSH	230 / 50	2 800	85 x 70 x 90
BMPK - 2120 CSH	230 / 50	2 800	90 x 70 x 85
BMPD - 3120 CSH	230 / 50	3 500	125 x 70 x 90
BMPK - 3120 CSH	230 / 50	3 500	130 x 65 x 90

VERIFICAREA AMBALAJULUI ŞI APARATULUI

Anlægget forlader vores lager i en forsvarlig pakning, på hvilken befinder sig tilsvarende symboler og markeringer. I pakningen befinder sig en tilsvarende betjeningsvejledning. Hvis pakningen viser tegn på en dårlig behandling, skal den reklameres øjeblikkeligt hos transportøren og man skal skrive og underskrive en protokol om beskadigelsen.

Vigtig varsel:

- vejledningen skal læses grundigt og omhyggeligt, da den indeholder vigtige informationer om sikkerhedselementer, installation og brug
- disse anbefalinger har forbindelse med dette produkt
- produktet svarer til gældende normer
- vejledningen skal gemmes omhyggeligt til fremtidigt brug
- børn må ikke gøre brug af anlægget
- ved salg eller omplacering skal man sikre sig, at betjeningen eller den faglige service har stiftet bekendskab med betjenings- og installationsanvisninger i den vedlagte vejledning
- produktet skal betjenes udelukkende af en fagkyndig person
- det må ikke forlades uden opsyn
- det anbefales, kontrol 1 gang om året
- ved eventuel reparation eller udskiftning af dele skal der bruges originale reservedele
- produktet må ikke renses med vandstrøm eller med trykbruser
- ved fejl eller forkert drift af produktet er det nødvendigt at afkoble alle tilslutninger (vand, elektricitet, gas) og tilkalde autoriseret service
- producenten fraskriver sig et enhver ansvar ved fejl forårsaget af en forkert installation, samt forkert brug af produktet.

INSTALAREA

Tekniske instruktioner for installationen og reguleringen

Til brug UDELUKKENDE for specialiserede teknikere. Følgende instruktioner henvender sig til en tekniker, der er kvalificeret til installation, og som skal udføre alle operationer på den måde, der er mest korrekt og ifølge de gældende normer.

Vigtigt

Enhver aktivitet i forbindelse med reparationen må kun udføres når anlægget er koblet af nettet.

Hvis det er nødvendigt at reparere anlægget med spænding, skal man arbejde yderst omhyggeligt.

Installationen af den elektriske tilførsel – Tilførslen skal sikres selvstændigt, med en tilsvarende afbryder af nominalstrømmen afhængig af strømforbrug af det installerede anlæg. Anlæggets strømforbrug kontrolleres på typepladen på den bagerste del af anlægget. Anlægget tilsluttes direkte til nettet. Det er nødvendigt at installere en kontakt mellem anlægget og nettet med en minimum distance på 3 mm mellem de enkelte kontakter, og som svarer til gældende normer og belastninger. Jordtilførsel (gulgrøn) må ikke afbrydes med denne kontakt.

I hvert fald skal tilførselskablet placeres sådan, at det på intet punkt opnår temperaturen som er 50 grader højere end omgivelsestemperatur. Før man tilslutter anlægget til nettet, skal man sikre sig, at:

- tilførselsafbryderen og den indre kreds kan tåle anlæggets belastning (se typeplade)
- fordelingen er forsynet med et effektivt jordstik ifølge normer og betingelser givet af loven
- stikkontakt eller kontakt i tilførslen er godt tilgængelige fra anlægget

Vi fralægger os ethvert ansvar i det tilfælde, at disse normer ikke bliver respekteret og i det tilfælde, at disse anvisninger ikke bliver overholdt.

Før opstart er det nødvendigt at fjerne den beskyttende folie og anlægget skal renses, se kapitlet „rensning og vedligeholdelse“.

MĂSURI DE SECURITATE DIN PUNCT DE VEDERE AL PROTECȚIEI ÎMPOTRIVA INCENDIILOR CONFORM CSN EN 061008 ȚL. 21:

- Deservirea aparatului trebuie să fie asigurată de către persoane mature
 - Aparatul poate fi utilizat fără pericol în condiții obișnuite conform EN 332000-1
 - Aparatul trebuie amplasat în așa fel încât să fie fixat pe un suport neinflamabil
- Se interzice amplasarea obiectelor inflamabile pe aparat, precum și în apropierea acestuia la distanțe mai mici decât cele recomandate (distanța minimă recomandată este de 10cm)
- Distanțele sigure față de obiectele inflamabile și informațiile despre gradul de combustibilitate a materialelor de construcție sunt indicate în tabel

Tabel:

Gradul de combustibilitate a materialelor de construcție (EN 730823) după substanțe și produse

A neinflamabil	granit, var, beton, cărămidă, gresie ceramică, tencuiala
B greu inflamabile	placă fibrolemnoasă, fibre minerale
C1 dificil inflamabil	lemn, foioase, hârtie întărită, placaj
C2 mediu inflamabil	plăci aglomerate din aşchii de lemn, plăci din plută, cauciuc, pardoseala din PVC
C3 ușor inflamabil	placi fibrolemnoase, polistiren, poliuretan, PVC

Aparatul trebuie instalat într-un mod sigur. În timpul instalării trebuie respectate prevederile de siguranță, proiectare și igienă în conformitate cu:

- EN 06 1008 securitatea de incendiu a dispozitivelor locale și surselor de căldură
- EN 33 2000 mediul înconjurător pentru aparate electrice (33 2000-4-42; 33 2000-4-482)

CONECTAREA CABLULUI ELECTRIC LA REȚEA

CONECTAREA CABLULUI ELECTRIC LA REȚEA

Instalarea alimentării cu electricitate: conexiunea trebuie asigurată de sine stătător cu o siguranță corespunzătoare și în funcție de tensiunea aparatului instalat. Tensiunea aparatului poate fi verificată pe plăcuța producătorului din partea de spate a aparatului. Conectați aparatul direct la rețea și plasați un întrerupător între aparat și rețea, respectând distanța minimă de 3mm între contacte, și care să corespundă cu normele în vigoare și cu sarcina de lucru. Firul de împământare (galben-verzui) nu trebuie afectat de acest întrerupător.

În orice caz cablul de alimentare trebuie amplasat în așa fel încât temperatura lui să nu depășească în nici un loc cu 50 de grade pe cea a mediului înconjurător. Înainte de a conecta aparatul la rețea asigurați-vă că:

- Siguranța alimentării și distribuția internă vor rezista la sarcina aparatului (vezi plăcuța)
- Conductoarele sunt împământate corespunzător, conform normelor (CȘN) și prevederilor legale
- Priza sau întrerupătorul alimentării sunt ușor accesibile

Nu ne asumăm nici un fel de răspundere în cazul nerespectării acestor norme și în cazul încălcării principiilor enunțate mai sus.

Înainte de prima utilizare îndepărtați folia protectoare de pe aparat și curățați-l așa cum scrie în capitolul „curățare și întreținere”.

GHID DE UTILIZARE

Atențiune!

Înainte de utilizarea aparatului, acesta trebuie spălat bine cu apă și soluție pentru vase, iar apoi clătit cu apă curată.

Umpleți aparatul cu apă până la înălțimea de max. 2 cm. Porniți cu întrerupătorul principal alimentarea cu electricitate, apăsați întrerupătorul (B) și cu conectorul (A) ajustați temperatura dorită în intervalul 50°C - 90°C. Becul de control (C) luminează dacă spiralele de încălzire sunt în funcțiune. Becul de control (C) se stinge dacă aparatul a atins temperatura setată. Opriți aparatul prin rotirea conectorului (A) până în poziția „0” și comutați butonul (B) în poziția 0. În mod constant verificarea nivelului apei nu folosiți niciodată aparatul fără apă. Utilizați dispozitivul numai sub supravegherea unui GN corespunzător pe deplin personal.

Dacă fiecare cadă nu este umplută cu vase gastronomice este necesar ca locurile goale să fie acoperite cu capace ale vaselor gastronomice pentru a limita pierderile de căldură și a vaporilor de apă. La unele modele, fiecare cadă dispune de comandă proprie.

În cazul întreruperilor îndelungate, deconectați cablul de alimentare (D) din rețea și depuneți-l în orificiul adecvat păstrării care se află în panoul băii de apă.

La modelele mobile, pentru a le amplasa la destinație, este necesar ca roțile să fie frânate..

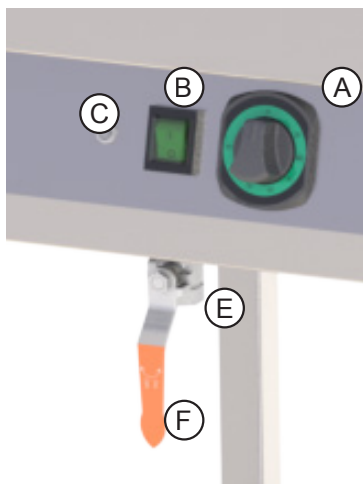
La băile de apă stabile este necesară nivelarea lor cu ajutorul piciorușelor reglabile.

Uscând cada:

Se toarnă anus atunci când apa este rece, iar aparatul este neenergizat.

Urmați acești pași: Utilizatorul trebuie să echipeze un container adecvat pentru drenarea apei din cada. Acest recipient trebuie să fie confecționat din material rezistent la căldură și trebuie să fie construite, ca să se afle sub țeava de evacuare a căzii respective și astfel, că apa nu va fi pulverizat, și astfel nu va cauza un pericol. Rotiți maneta robinetului în poziția deschis, astfel veți evacua apa din cada. Nu se scurge baie atunci când apa este rece

PANOU DE CONTROL



- (A) mâner
- (B) comutator principal
- (C) lumina portocalie - încălzire în sus
- (E) robinet de evacuare
- (F) Supapă maneta de comandă



Observ.: la modelele CSH veți găsi comanda încălzirii spațiului de depozitare cât mai mult în partea dreaptă. Procedul de comandă este identic ca și în cazul comenzii de încălzire a vasului gastronomic

Vedligeholdelse:

Det anbefales at lade anlægget kontrollere mindst en gang om året af en fagservice. Ethvert indgreb i anlægget kan udføres udelukkende af en kvalificeret person, der er berettiget til disse aktiviteter.

NB! Anlægget må ikke renses med direkte- eller trykvand.

Anlægget renses dagligt. Daglig rensning forlænger levetiden og effekten af anlægget. Før man starter rensning, forsikre dig om, at anlægget er afkoblet fra elektrisk strøm. Afbryd altid på hovedtilførsel til anlægget. Rustfrie dele renses med en fugtig klud med opvaskemiddel uden grove partikler, bagefter tørres. Brug ikke abrasive eller korrosive rensedmidler.

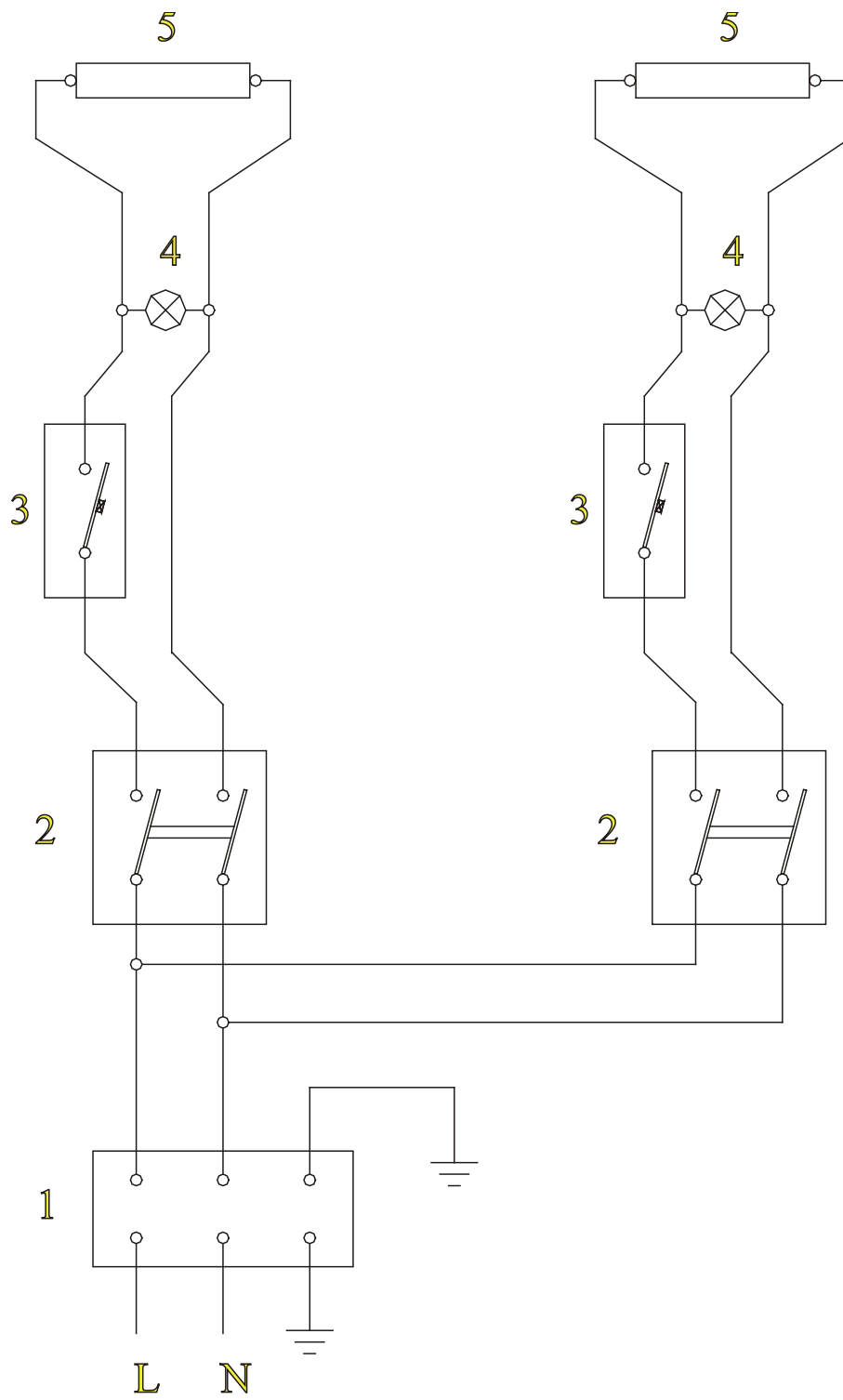
HVORDAN ER FREMGANGSMÅDEN I TILFÆLDE AF FEJL

Sluk for den elektriske tilførsel og ring til sælgerens serviceorganisation.

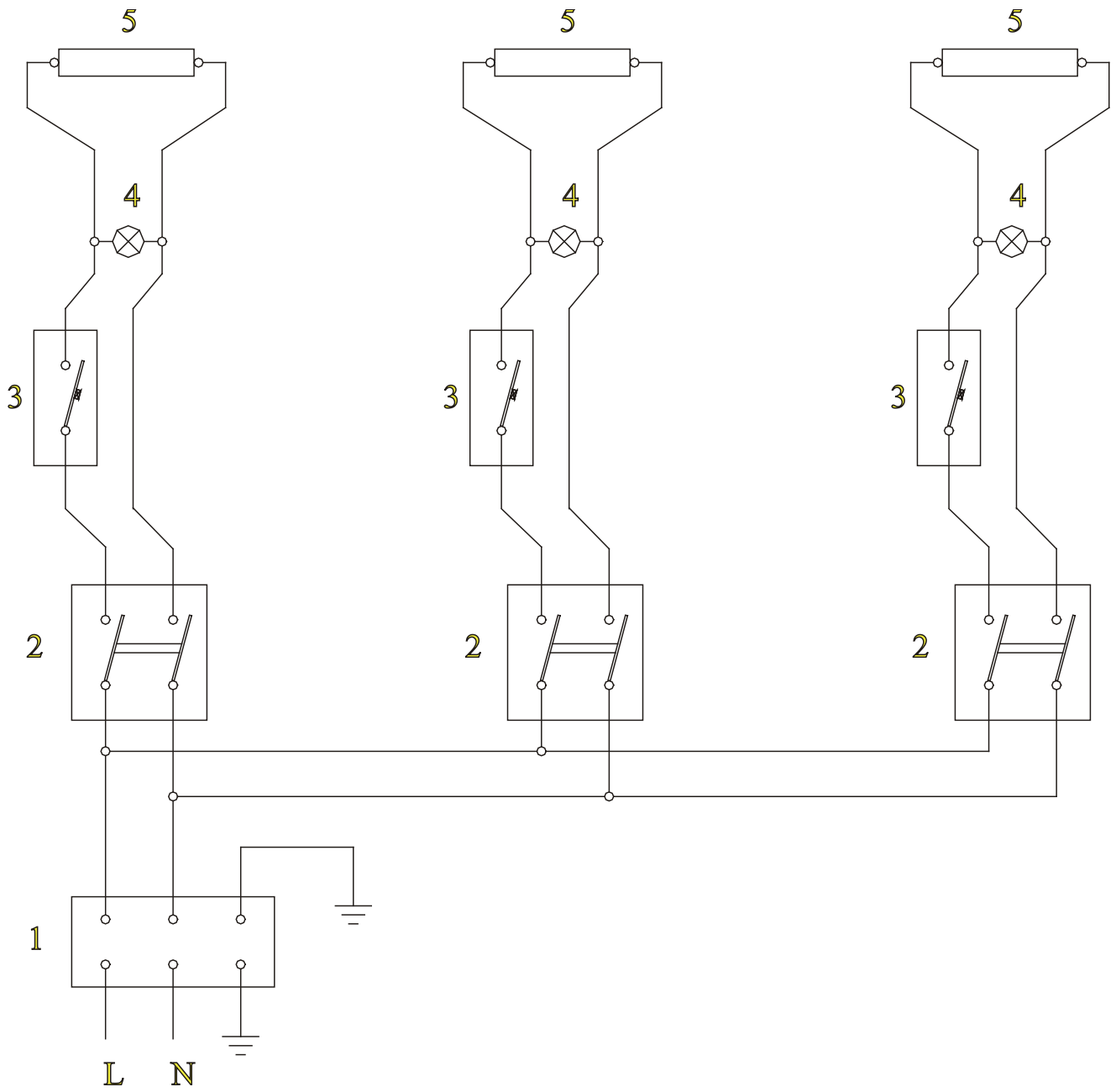
PAS PÅ!

Garantien omfatter ikke alle brugsdele, der er almindelig slidtage (gummitætninger, elektriske pærer, glas-og plasticdele). Garantien omfatter ikke anlæg, hvis installation af anlægget ikke er udført ifølge vejledningen af en berettiget person og ifølge de tilsvarende normer, og hvis der blev manipuleret ufagligt med anlægget (indgreb i anlæggets indre) eller hvis anlægget blev betjent af ukyndig personale og i modsætning til brugsvejledningen, endvidere garantien omfatter ikke skader forårsaget af naturfænomener eller en anden yderindgreb.

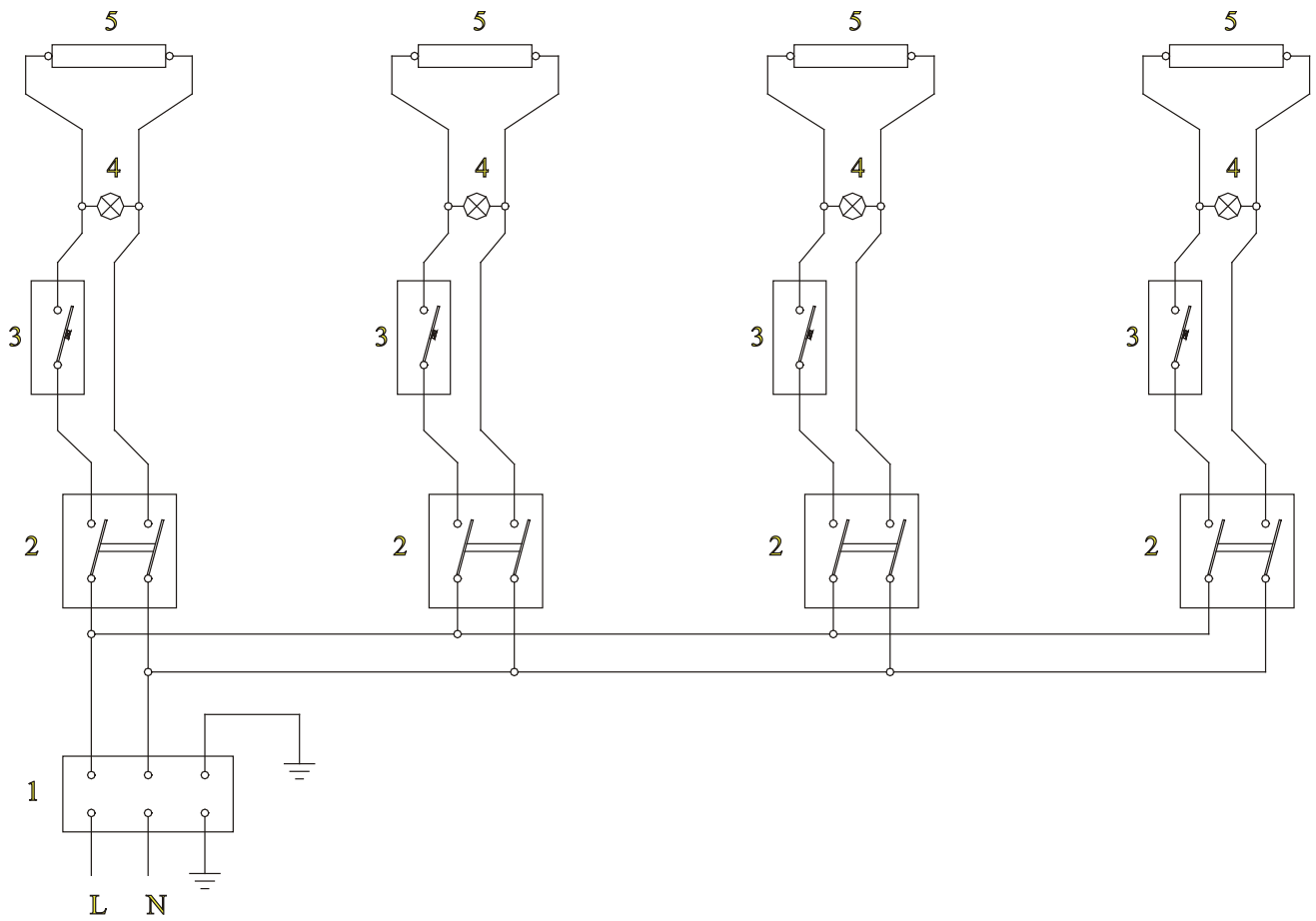
SCHEMA CONECTĂRII UH: BMP 2120



SCHEMA CONECTĂRII UH: BMP 3120

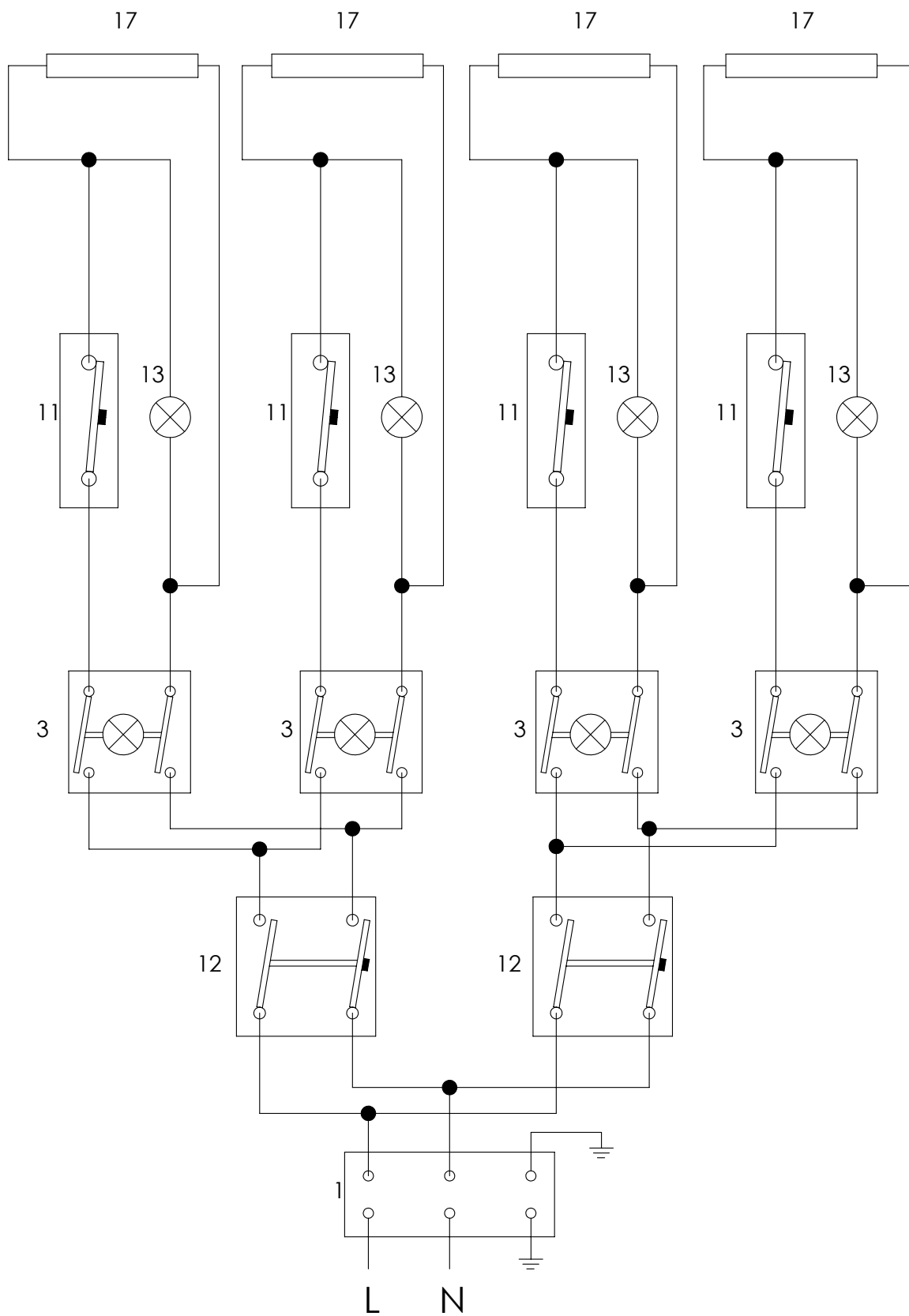


SCHEMA CONECTĂRII UH: BMP 4120

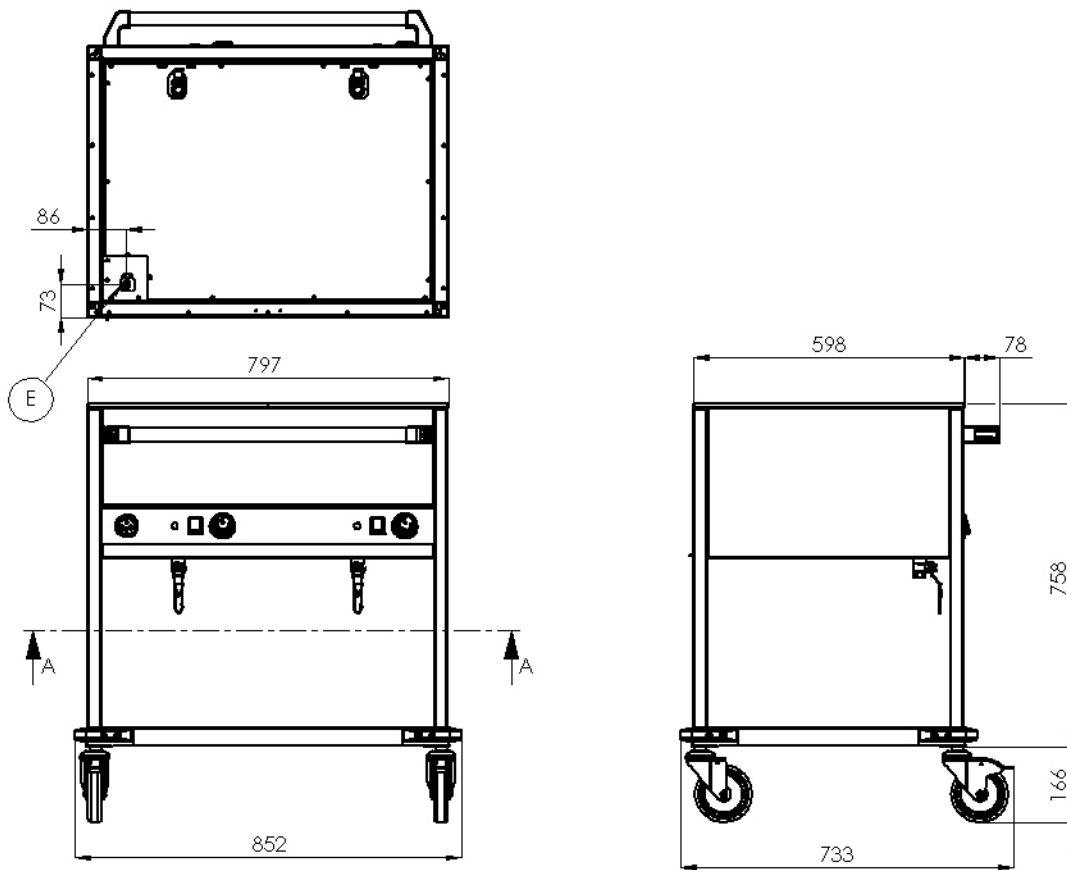


SCHEMA CONECTĂRII UH: BMP 4120 CU TERMO-STAT DE SIGURANȚĂ

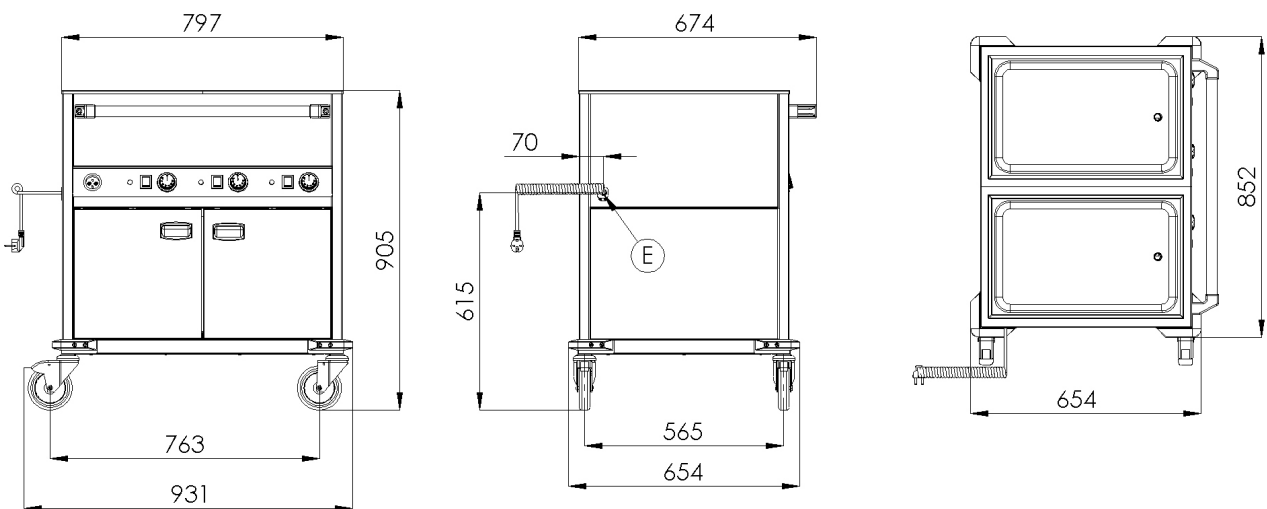
BLOKOVÉ SCHÉMA BMS-4120 2x POJISTNÝ TERMOSTAT



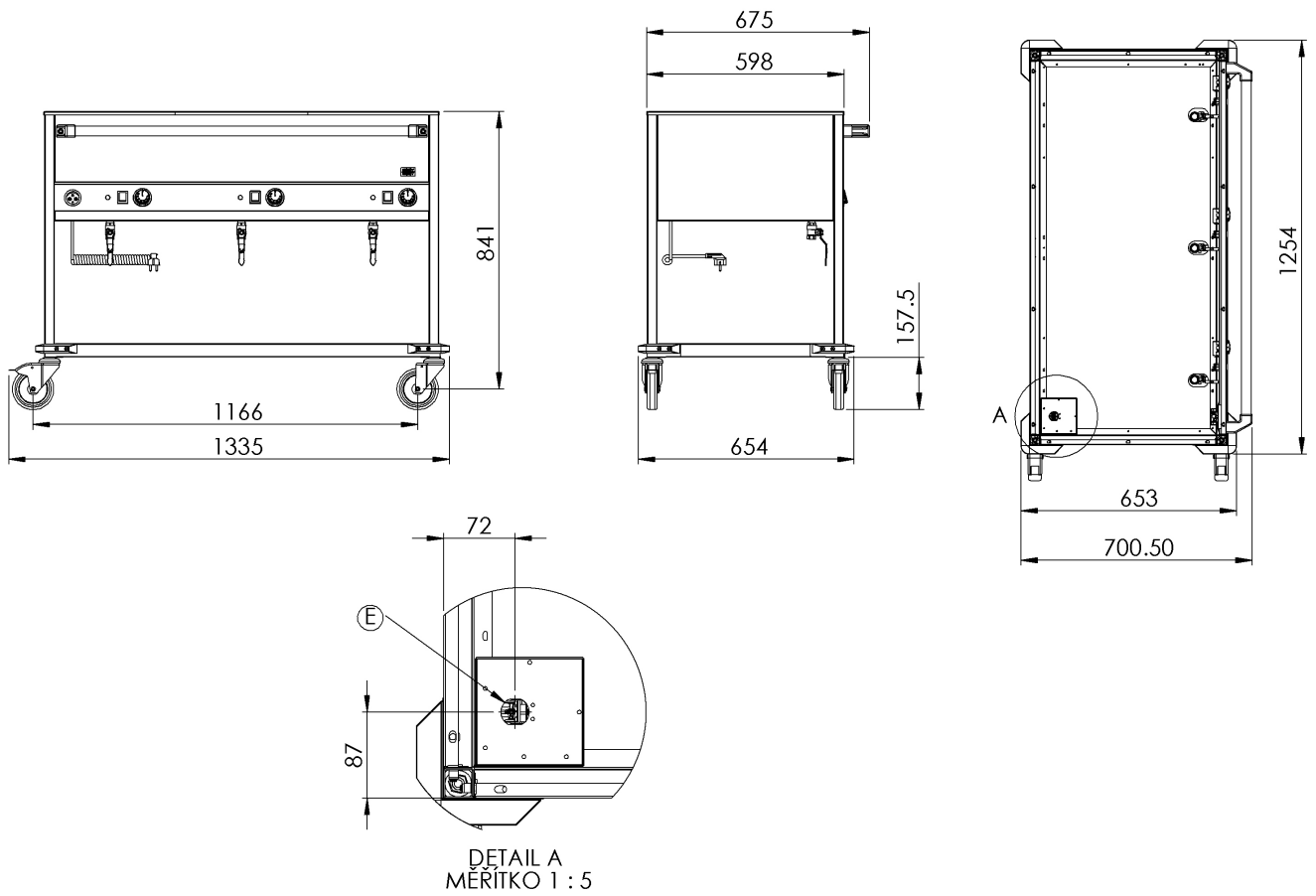
DIMENSIONALE IMAGINE BMP- 2120



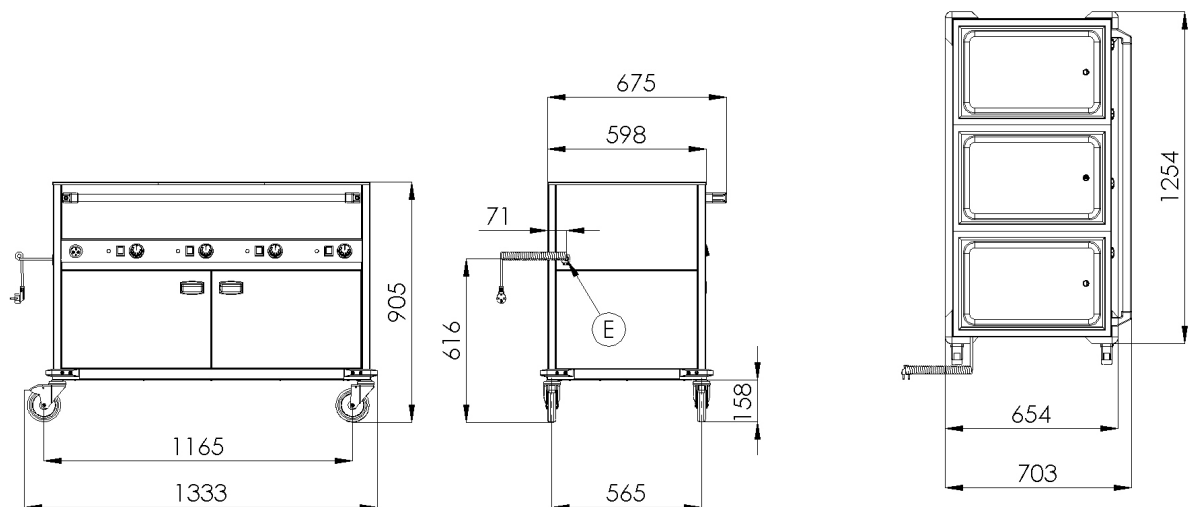
DIMENSIONALE IMAGINE BMP- 2120 CS



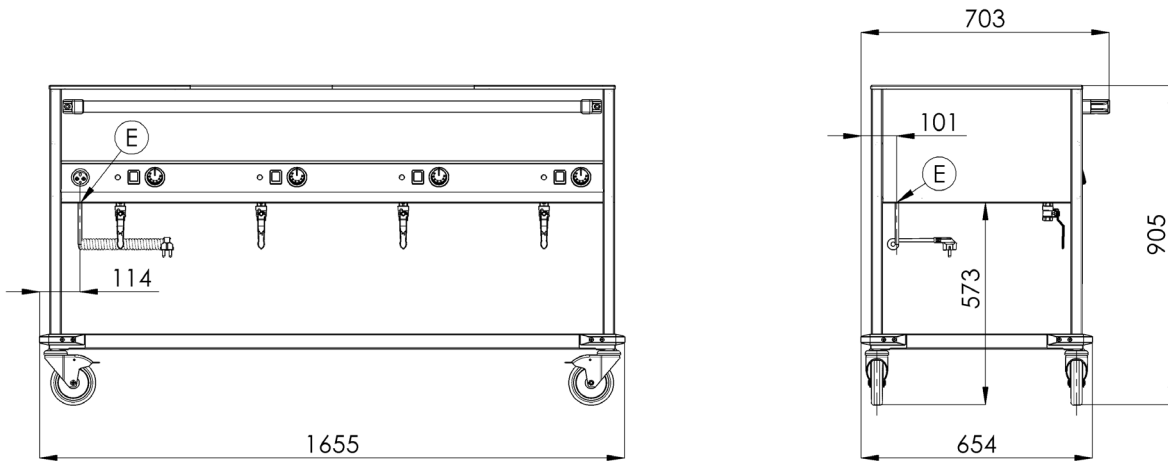
DIMENSIONALE IMAGINE BMP- 3120



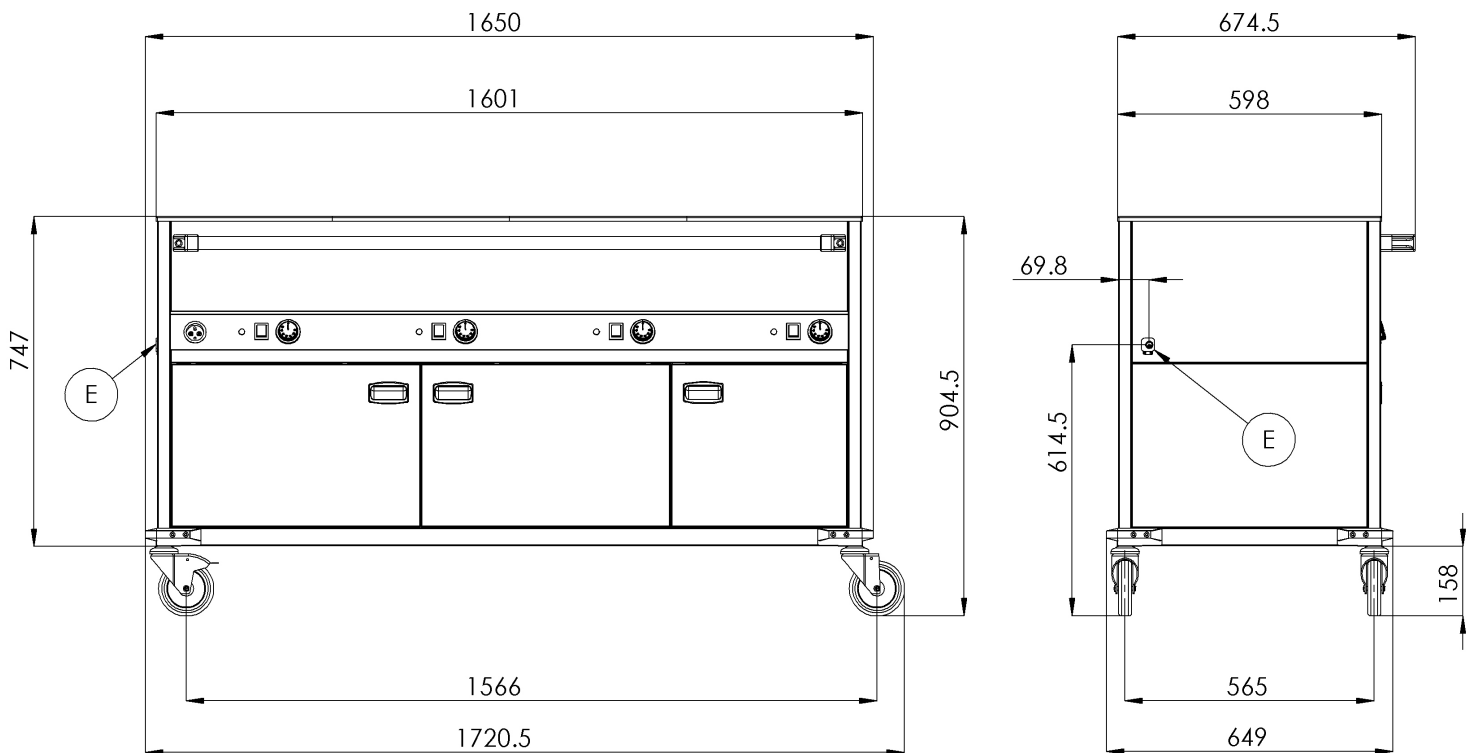
DIMENSIONALE IMAGINE BMP- 3120 CS



DIMENSIONALE IMAGINE BMP- 4120



DIMENSIONALE IMAGINE BMP- 4120 CS



ДЕКЛАРАЦИЯ О СООТВЕТСТВИИ СТАНДАРТАМ

Изготовитель заявляет, что приборы удовлетворяют требованиям директивы европейского парламента и совета № 2009/142/ЕС (Постановления чешского правительства № 22/2003), законов № 22/1997 и № 258/2000 «Об охране общественного здоровья», подзаконного акта № 38/2001 и соответствующих постановлений правительства. Установка прибора должна осуществляться в соответствии с действующими нормами.

Внимание, изготовитель не несет никакой ответственности в случае прямых или косвенных повреждений, возникших по причине неправильной установки, изменения прибора или неправильного вмешательства в него, недостаточного техобслуживания, неправильного обращения с прибором или же повреждений, возникших по другим причинам, указанным в документе «Условия продажи». Настоящий прибор предназначен исключительно для профессионального применения. Обслуживать прибор разрешается только квалифицированным лицам. Части прибора, которые были отрегулированы изготовителем и зафиксированы им или его уполномоченным работником, пользователю регулировать запрещается.

Технические данные:

Табличка с техническими данными находится на видном месте на задней стенке прибора. Перед установкой изучите электрическую схему подключения, прилагаемую к руководству.

Тип изделия	Напряжение (V / Hz)	Мощность (W)	Размеры (cm)
BMPD - 2120	230 / 50	1 400	84,7 x 67,4 x 90
BMPK - 2120	230 / 50	1 400	90,6 x 67,9 x 90
BMPD - 3120	230 / 50	2 100	124,9 x 67,4 x 90
BMPK - 3120	230 / 50	2 100	130,8 x 64,9 x 90
BMPD - 4120	230 / 50	2 800	165,1 x 67,4 x 90
BMPK - 4120	230 / 50	2 800	171 x 64,9 x 90
BMSD - 2120	230 / 50	1 400	79,7 x 59,8 x 90
BMSK - 2120	230 / 50	1 400	79,7 x 59,8 x 90
BMSD - 3120	230 / 50	2 100	119,9 x 59,8 x 90
BMSK - 3120	230 / 50	2 100	119,9 x 59,8 x 90
BMSD - 4120	230 / 50	2 800	160,1 x 59,8 x 90
BMSK - 4120	230 / 50	2 800	160,1 x 59,8 x 90
BMPK - 4120 CS	230 / 50	2 800	170 x 65 x 90
BMPK - 3120 CS	230 / 50	2 100	130 x 65 x 90
BMPK - 2120 CS	230 / 50	1 400	90 x 65 x 90
BMPD - 2120 CSH	230 / 50	2 800	85 x 70 x 90
BMPK - 2120 CSH	230 / 50	2 800	90 x 70 x 85
BMPD - 3120 CSH	230 / 50	3 500	125 x 70 x 90
BMPK - 3120 CSH	230 / 50	3 500	130 x 65 x 90

ПРОВЕРКА УПАКОВКИ И ПРИБОРА

Завод-изготовитель отгружает прибор надлежащим образом упакованным. На упаковке указаны соответствующие символы и обозначения. В упаковке находится соответствующее руководство по эксплуатации. Если на упаковке видны следы неправильного обращения, признаки повреждения или насильного вскрытия во время перевозки, Вы должны немедленно предъявить претензию грузоперевозчику, составив с ним акт о повреждении. Позднее претензии не принимаются.

Общие указания

Данное руководство следует внимательно прочитать и изучить, поскольку в нем приводятся важные

предупреждения, касающиеся безопасности установки прибора и его эксплуатации.

- Данное руководство предназначено только для настоящего изделия или продуктовой линейки.
- Данное руководство следует сохранять для использования в будущем.
- Детям запрещается манипулировать с прибором.
- Прибор разрешается обслуживать только обученному персоналу.
- Мармит разрешается использовать только для поддержания необходимой температуры раздаваемой пищи.
- Прибор ни в коем случае нельзя включать без надзора.
- Рекомендуется 2 раза в год проводить специализированный сервисный осмотр.
- В случае ремонта или замены части (детали) необходимо использовать оригинальные запчасти от изготовителя прибора.
- Прибор ни в коем случае нельзя мыть струей воды или напорным аппаратом.
- В случае неисправности или неправильной работы прибора следует немедленно отсоединить все подводы (вода, электричество, газ) и пригласить авторизованный сервис.
- Прибор разрешается использовать только по его назначению. Использование прибора в других целях может привести к возникновению опасности или нанесению травмы.
- Должно быть обеспечено безоговорочное строгое соблюдение правил пожарной безопасности.

Изготовитель не несет никакой ответственности в случае возникновения неисправностей, вызванных неправильной установкой, несоблюдением вышеуказанных указаний, использованием прибора не по назначению и т.п.

РАЗМЕЩЕНИЕ

Для правильной работы и размещения прибора необходимо соблюдать директивы TPG G 704 01, EN 127040, EN 127010.

Снимите упаковку и проверьте наличие повреждений, возникших во время перевозки. Поместите прибор на горизонтальную поверхность (макс. неровность не более 2°). Небольшую неровность можно компенсировать с помощью регулируемых ножек.

Если месторасположение прибора предполагает его контакт со стенками мебели, то данная мебель должна быть устойчивой к температуре до 60°C. Установку и пуско-наладочные работы должно выполнять квалифицированное лицо, имеющее на такие работы соответствующее разрешение (согласно действующим нормам).

Мармит можно установить как отдельный прибор или в серии с другими приборами нашего производства. Необходимо соблюдать минимальное расстояние 10 см от горючих материалов. В таком случае следует провести соответствующие изменения, чтобы была обеспечена тепловая изоляция горючих частей.

Прибор разрешается устанавливать только на негорючей поверхности или возле негорючей стены.

МЕРЫ БЕЗОПАСНОСТИ С ТОЧКИ ЗРЕНИЯ ПОЖАРНОЙ ОХРАНЫ СОГЛАСНО EN 061008, СТ.12

- обслуживать прибор разрешается только взрослым
- прибор разрешается использовать только в нормальной среде по:
EN 33 2000-4-482
EN 33 2000-4-42

- прибор должен быть установлен так, чтоб он прочно стоял или висел на негорючем основании
- на прибор и на расстоянии, меньшем безопасной удаленности от него, запрещается размещать предметы из горючих материалов (минимальное расстояние между прибором и горючим материалом составляет 10 см).
- информация о степени воспламеняемости некоторых строительных материалов приводится на следующей странице

Таблица степени воспламеняемости строительного материала, включенного с ст. воспламеняемости (730823) материалов и изделий


А - негорючие	гранит, песчаник, бетоны, кирпич, керамическая плитка, штукатурка
В - умеренно воспламеняемые	акумин, гераклит, лигнос, итавер
С1 - трудно горючие	древесина лиственных пород, клееная фанера, сиркоклит, гетинакс, умакарт
С2 - умеренно горючие	ДСП, солодур, пробковые доски, резина, покрытия для полов
С3 - легко горючие	ДВП, полистерен, полиуретан, ПВХ

Прибор должен быть установлен безопасным способом. При установке следует соблюдать

соответствующие предписания по проектированию, безопасности и гигиене согласно:

- EN 06 1008 пожарная безопасность локальных приборов и источников тепла
- EN 33 2000 среда для электрического оборудования

ВАЖНО:

 ИЗГОТОВИТЕЛЬ НЕ ДАЕТ НИКАКИХ ГАРАНТИЙ НА НЕИСПРАВНОСТИ, ВОЗНИКШИЕ В РЕЗУЛЬТАТЕ НЕПРАВИЛЬНОЙ ЭКСПЛУАТАЦИИ, НЕСОБЛЮДЕНИЯ ИНСТРУКЦИЙ В ПРИЛАГАЕМОМ РУКОВОДСТВЕ ПО ЭКСПЛУАТАЦИИ И НЕПРАВИЛЬНОГО ОБРАЩЕНИЯ С ПРИБОРАМИ.

УСТАНОВКУ, НАЛАДКУ И РЕМОНТ ПРИБОРОВ ДЛЯ ПРЕДПРИЯТИЙ ОБЩЕПИТА, ТАК ЖЕ КАК И ДЕМОНТАЖ ДАННЫХ ПРИБОРОВ (ИЗ-ЗА ОПАСНОСТИ ПОВРЕЖДЕНИЯ ПОДВОДА ГАЗА) РАЗРЕШАЕТСЯ ВЫПОЛНЯТЬ ТОЛЬКО НА ОСНОВАНИИ ДОГОВОРА О ТЕХОБСЛУЖИВАНИИ (ДАННЫЙ ДОГОВОР МОЖНО ЗАКЛЮЧИТЬ С АВТОРИЗОВАННЫМ ПРОДАВЦОМ), ПРИЧЕМ ДОЛЖНЫ СОБЛЮДАТЬСЯ ТЕХНИЧЕСКИЕ ПРЕДПИСАНИЯ И СТАНДАРТЫ, КАСАЮЩИЕСЯ УСТАНОВКИ, ЭЛЕКТРИЧЕСКОГО ПОДСОЕДИНЕНИЯ, ПОДКЛЮЧЕНИЯ ГАЗА И БЕЗОПАСНОСТИ ТРУДА.

ТЕХНИЧЕСКИЕ ИНСТРУКЦИИ ПО УСТАНОВКЕ И НАЛАДКЕ ПРЕДНАЗНАЧАЮТСЯ ТОЛЬКО СПЕЦИАЛИЗИРОВАННЫМ ТЕХНИКАМ.

НИЖЕПРИВЕДЕННЫЕ ИНСТРУКЦИИ АДРЕСОВАНЫ ТЕХНИКАМ, ИМЕЮЩИМ КВАЛИФИКАЦИЮ ДЛЯ УСТАНОВКИ ПРИБОРА, ЧТОБЫ ОНИ МОГЛИ ВЫПОЛНИТЬ ВСЕ ОПЕРАЦИИ КАК МОЖНО БОЛЕЕ КОРРЕКТНО И В СООТВЕТСТВИИ С ДЕЙСТВУЮЩИМИ НОРМАМИ.

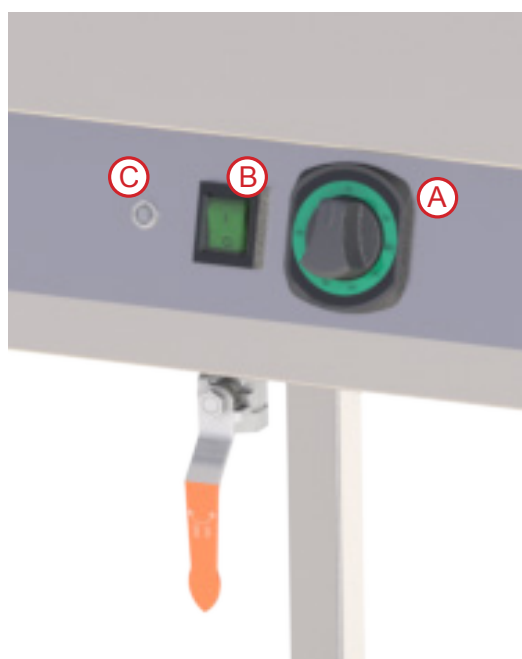
ЛЮБЫЕ РАБОТЫ, СВЯЗАННЫЕ С НАЛАДКОЙ И Т.П., РАЗРЕШАЕТСЯ ВЫПОЛНЯТЬ ТОЛЬКО КОГДА ПРИБОР ОТКЛЮЧЕН ОТ СЕТИ. ЕСЛИ ПРИ ВЫПОЛНЕНИИ РАБОТ НЕОБХОДИМО, ЧТОБЫ ПРИБОР НАХОДИЛСЯ ПОД НАПРЯЖЕНИЕМ, ТО СЛЕДУЕТ БЫТЬ ПРЕДЕЛЬНО ОСТОРОЖНЫМИ.

РУКОВОДСТВО ПО ЭКСПЛУАТАЦИИ

Наполните устройство водой до риски с боковой стороны ванны. Включите главный выключатель (В), поверните элемент управления (А) из положения «0» на нужную вам величину в диапазоне 30°C - 90°C. Контрольная лампочка (С) светится. Главный выключатель (В) светится, если устройство находится под напряжением. Контрольная лампочка (С) светится, если работают нагревательные спирали. Контрольная лампочка (С) погаснет, если устройство нагрето до заданной температуры. Устройство выключается при повороте управляющего элемента (А) в положение «0» и переключении главного выключателя (В). Постоянно контролируйте уровень воды, никогда не используйте устройство без воды. Используйте устройство только под надзором и полностью загруженным соответствующими гастрономическими емкостями.

ОПОРОЖНЕНИЕ ВАННЫ

Опорожняйте ванну, если вода холодная и устройство отключено от электросети. Пользователь должен обеспечить соответствующую емкость для слива воды из ванны. Эта емкость должна быть из термостойкого материала и должна стоять так, чтобы вода не разбрызгивалась и не представляла собой опасность. Опорожняйте ванну, только если вода холодная.



ТЕХОБСЛУЖИВАНИЕ И ГАРАНТИЙНЫЕ УСЛОВИЯ



ПРИ ДЛИТЕЛЬНОЙ ЭКСПЛУАТАЦИИ ПРИБОРА ДЛЯ ОБЕСПЕЧЕНИЯ ЕГО БЕЗОПАСНОЙ РАБОТЫ ТРЕБУЕТСЯ РЕГУЛЯРНОЕ ТЕХОБСЛУЖИВАНИЕ, ПОЭТОМУ РЕКОМЕНДУЕМ ЗАКЛЮЧИТЬ ДОГОВОР НА СЕРВИСНОЕ ОБСЛУЖИВАНИЕ. ТЕХОБСЛУЖИВАНИЕ РАЗРЕШАЕТСЯ ПРОВОДИТЬ ТОЛЬКО УПОЛНОМОЧЕННЫМ СЕРВИСНЫМ ТЕХНИКАМ, СОБЛЮДАЮЩИМ ДЕЙСТВУЮЩИЕ СТАНДАРТЫ И ПРЕДПИСАНИЯ, А ТАКЖЕ ИНСТРУКЦИИ, ПРИВЕДЕННЫЕ В РУКОВОДСТВЕ. ОПТИМАЛЬНАЯ ПЕРИОДИЧНОСТЬ ПРОФОСМОТРОВ СОСТАВЛЯЕТ 1 РАЗ В 6 МЕСЯЦЕВ, ПРИ ОЧЕНЬ ВЫСОКИХ НАГРУЗКАХ КОНТРОЛЬ РЕКОМЕНДУЕТСЯ ПРОВОДИТЬ 1 РАЗ В 3 МЕСЯЦА. БЛАГОДАРЯ ПРОФОСМОТРАМ МОЖНО ИЗБЕЖАТЬ СЕРЬЕЗНЫХ ПОЛОМОК ПРИБОРА, СНИЗИВ ТЕМ САМЫМ ЗАТРАТЫ НА ЕГО ЭКСПЛУАТАЦИЮ.

ПРЕДУПРЕЖДЕНИЕ:

ГАРАНТИЯ НЕ РАСПРОСТРАНЯЕТСЯ НА ВСЕ БЫСТРО ИЗНАШИВАЕМЫЕ ДЕТАЛИ (РЕЗИНОВЫЕ УПЛОТНЕНИЯ, ЛАМПОЧКИ, СТЕКЛЯННЫЕ И ПЛАСТИКОВЫЕ ЧАСТИ И Т.Д.) ГАРАНТИЯ ТАКЖЕ НЕ ПРЕДОСТАВЛЯЕТСЯ, ЕСЛИ УСТАНОВКА ПРИБОРА НЕ СООТВЕТСТВУЕТ УКАЗАНИЯМ, ПРИВЕДЕННЫМ В ДАННОМ РУКОВОДСТВЕ (Т.Е. УСТАНОВКУ ДОЛЖЕН ПРОВОДИТЬ РАБОТНИК, ИМЕЮЩИЙ КВАЛИФИКАЦИЮ СОГЛАСНО СООТВЕТСТВУЮЩИМ НОРМАМ), ЕСЛИ С ПРИБОРОМ ОБРАЩАЛИСЬ НЕПРОФЕССИОНАЛЬНО (ВМЕШАТЕЛЬСТВО ВО ВНУТРЕННЕЕ ОСНАЩЕНИЕ) ИЛИ ЕСЛИ ПРИБОР ОБСЛУЖИВАЛСЯ НЕОБУЧЕННЫМ ПЕРСОНАЛОМ, НЕ СОБЛЮДАЯ ПРИ ЭТОМ РУКОВОДСТВО ПО ЭКСПЛУАТАЦИИ, ГАРАНТИЯ ТАКЖЕ НЕ ПРЕДОСТАВЛЯЕТСЯ НА ПОВРЕЖДЕНИЯ, ВОЗНИКШИЕ В РЕЗУЛЬТАТЕ ПРИРОДНЫХ ЯВЛЕНИЙ ИЛИ ДРУГИХ ВЛИЯНИЙ ИЗ ВНЕ.

МЕРЫ В СЛУЧАЕ НЕИСПРАВНОСТИ:

НЕМЕДЛЕННО ОТКЛЮЧИТЬ ПОДВОД ТОКА И НЕЗАМЕДЛИТЕЛЬНО ПРИГЛАСИТЬ СЕРВИСНУЮ ОРГАНИЗАЦИЮ, НИ В КОЕМ СЛУЧАЕ НЕ ПЫТАТЬСЯ КАКИМ-ЛИБО ОБРАЗОМ МАНИПУЛИРОВАТЬ С ПРИБОРОМ.

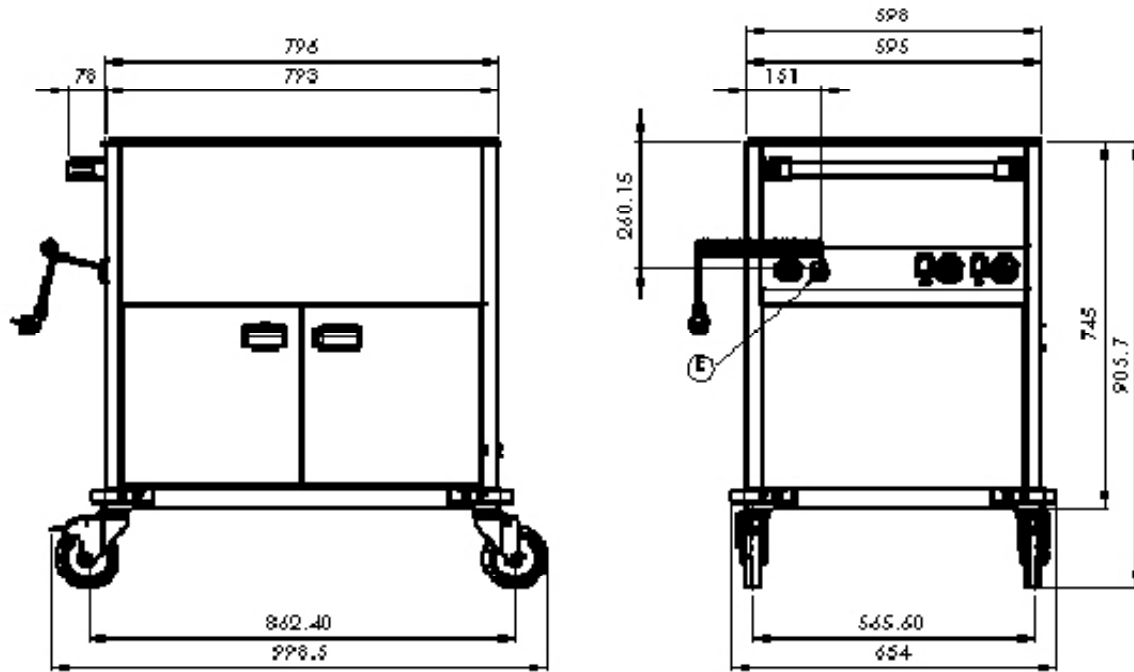
ИЗГОТОВИТЕЛЬ НЕ НЕСЕТ НИКАКОЙ ОТВЕТСТВЕННОСТИ ЗА ТРАВМЫ И УЩЕРБ, НАНЕСЕННЫЙ ИМУЩЕСТВУ, ВОЗНИКШИЕ ПО ПРИЧИНЕ НЕСОБЛЮДЕНИЯ ПРАВИЛ ТЕХНИКИ БЕЗОПАСНОСТИ ИЛИ ИСПОЛЬЗОВАНИЯ ПРИБОРА НЕ ПО НАЗНАЧЕНИЮ.

УКАЗАНИЯ ПО УТИЛИЗАЦИИ:

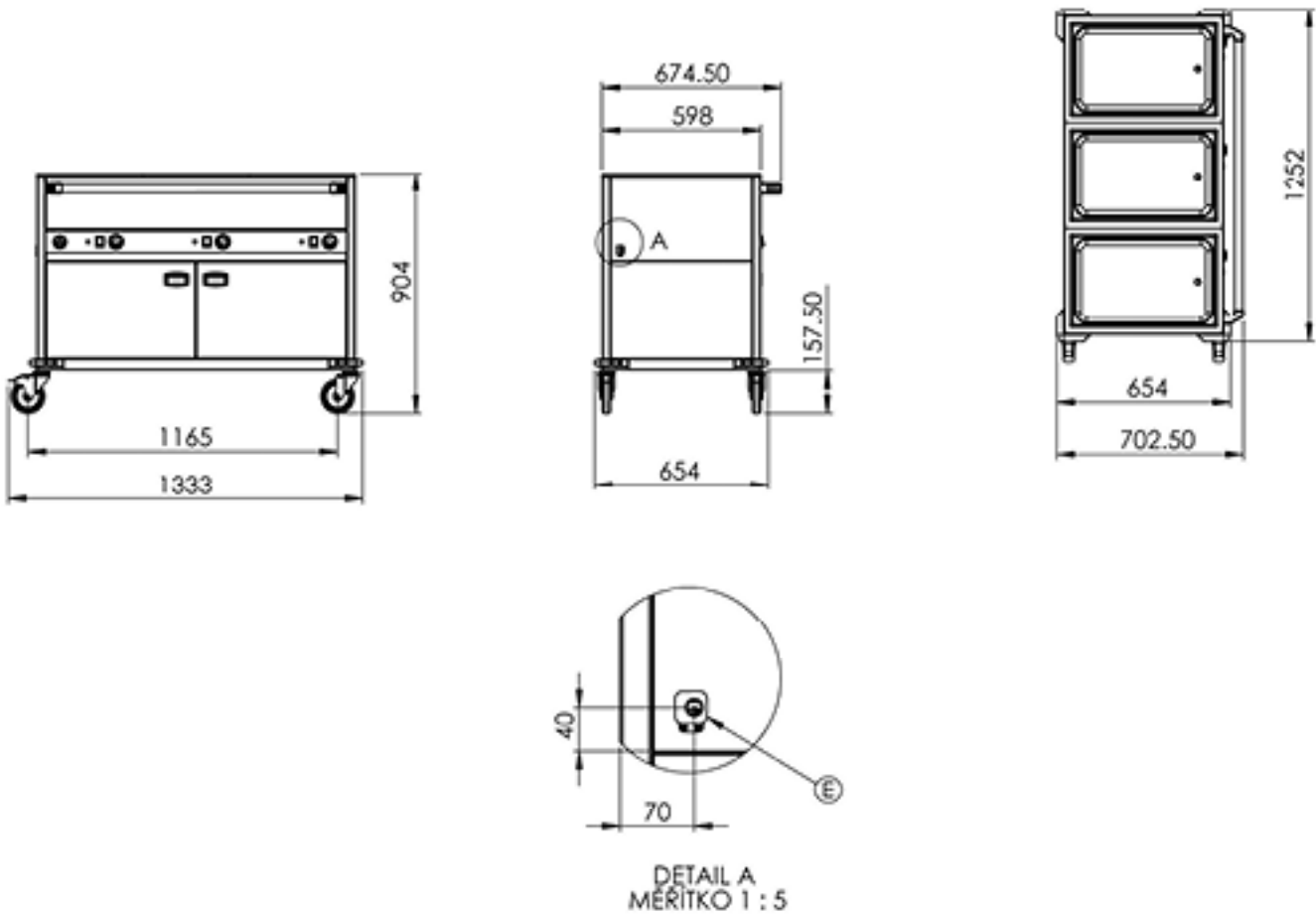
УПАКОВОЧНЫЕ МАТЕРИАЛЫ СЛЕДУЕТ УТИЛИЗИРОВАТЬ В СООТВЕТСТВИИ С ДЕЙСТВУЮЩИМ ЗАКОНОДАТЕЛЬСТВОМ. ОТСЛУЖИВШИЙ ПРИБОР ДОЛЖЕН БЫТЬ ТАКЖЕ ПРАВИЛЬНО УТИЛИЗИРОВАН. ДЛЯ ПОЛУЧЕНИЯ БОЛЕЕ ПОДРОБНОЙ ИНФОРМАЦИИ ПО ДАННОМУ ВОПРОСУ СВЯЖИТЕСЬ С ПРОДАВЦОМ ОБОРУДОВАНИЯ ИЛИ АВТОРИЗОВАННЫМ СЕРВИСОМ.

РАЗМЕРЫ

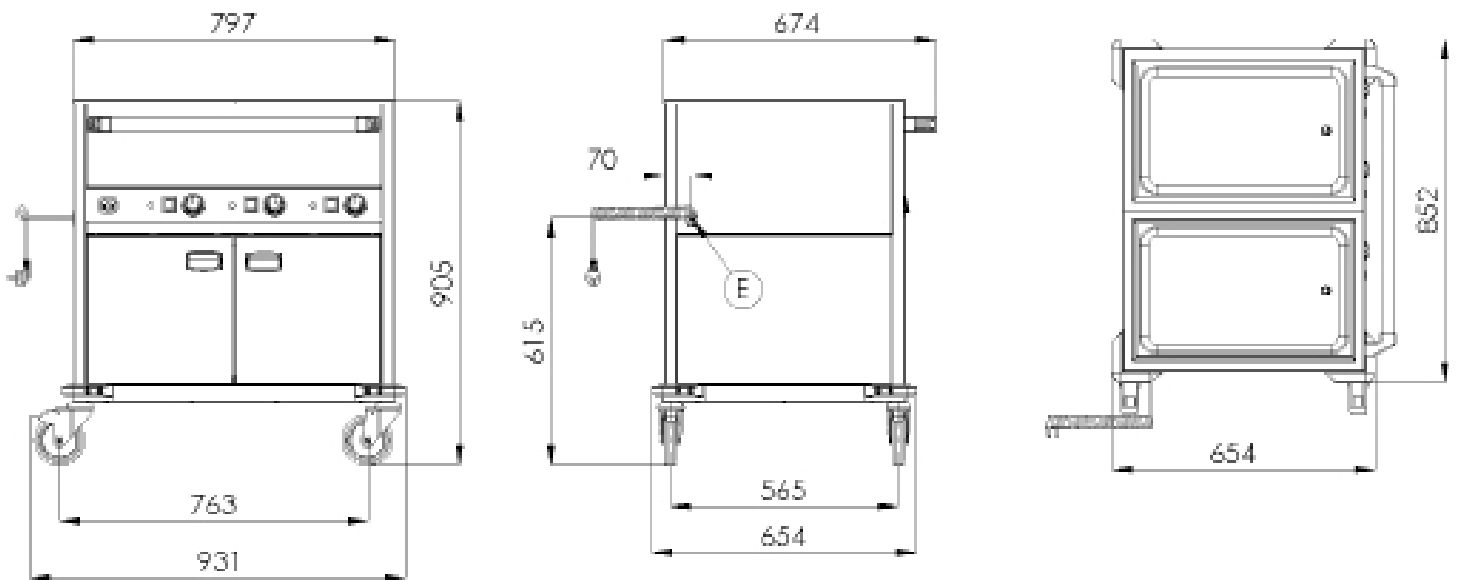
BMPK - 2120 CS(H)



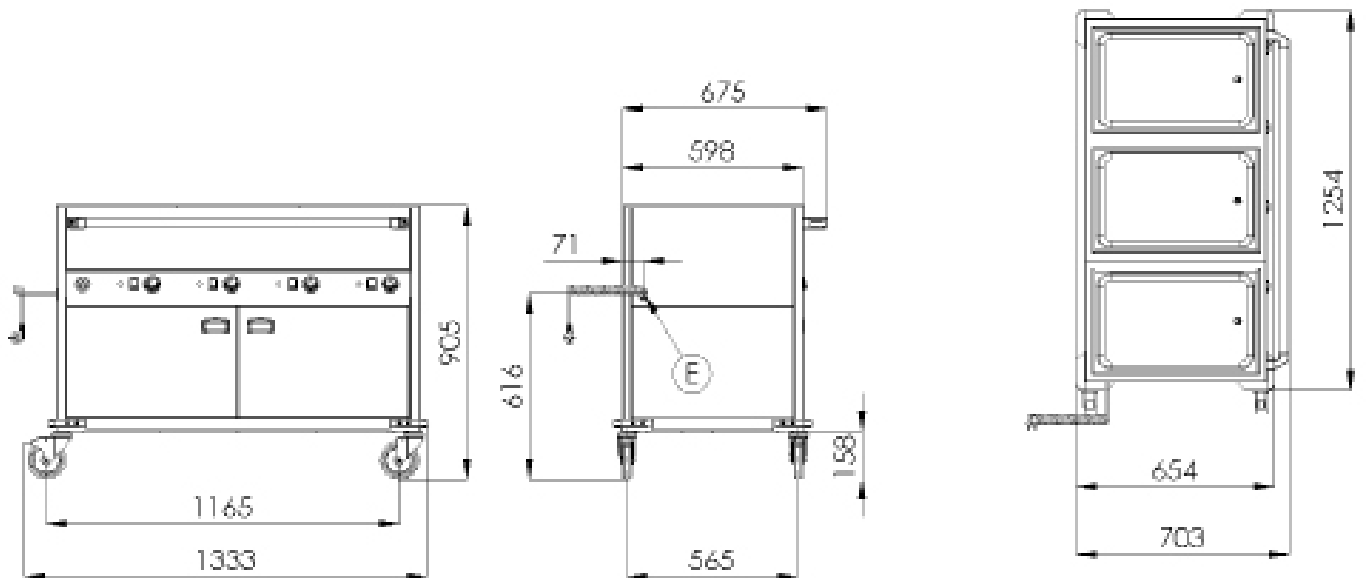
BMPK - 3120 CS(H)

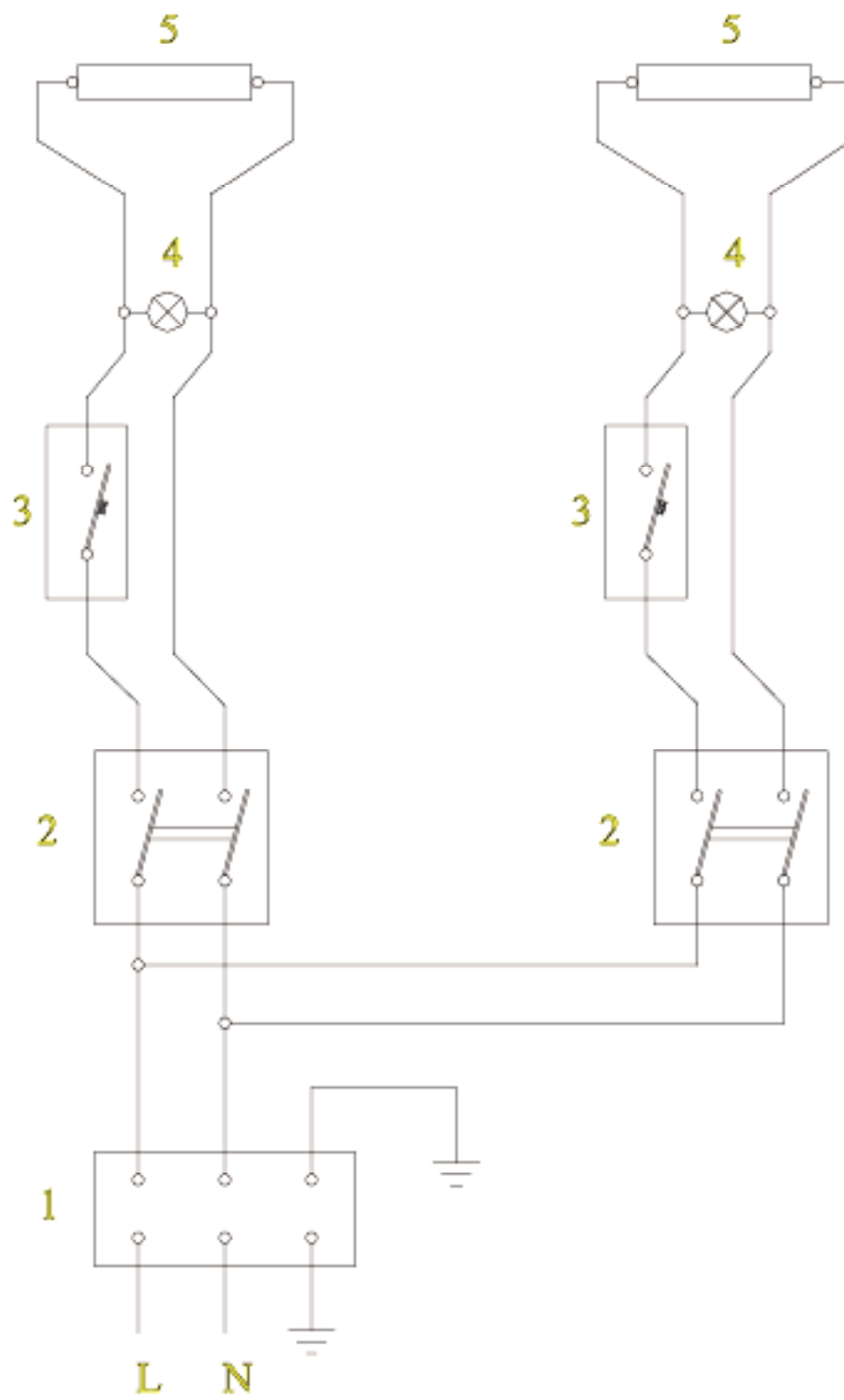


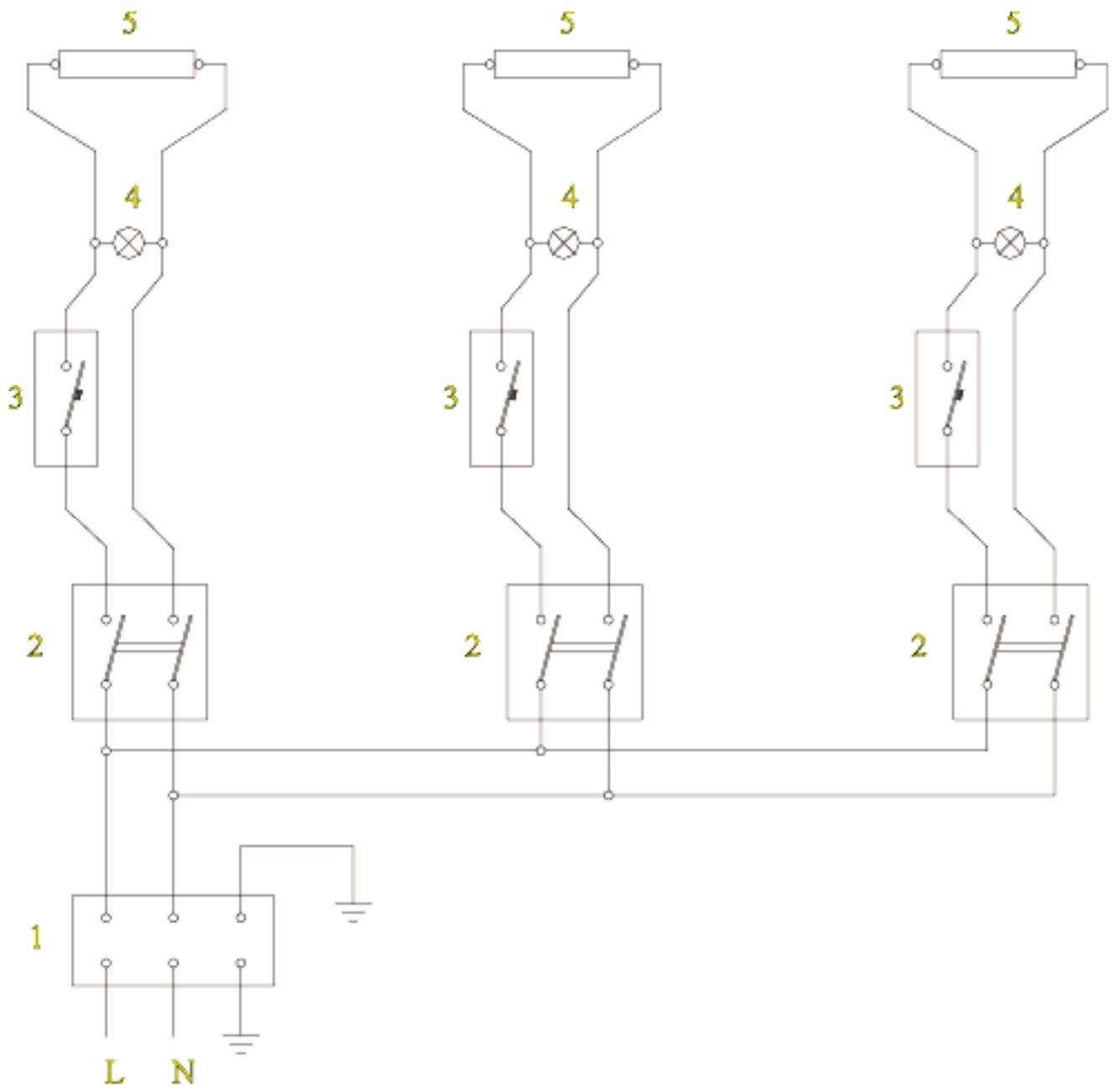
BMPD - 2120 CS(H)



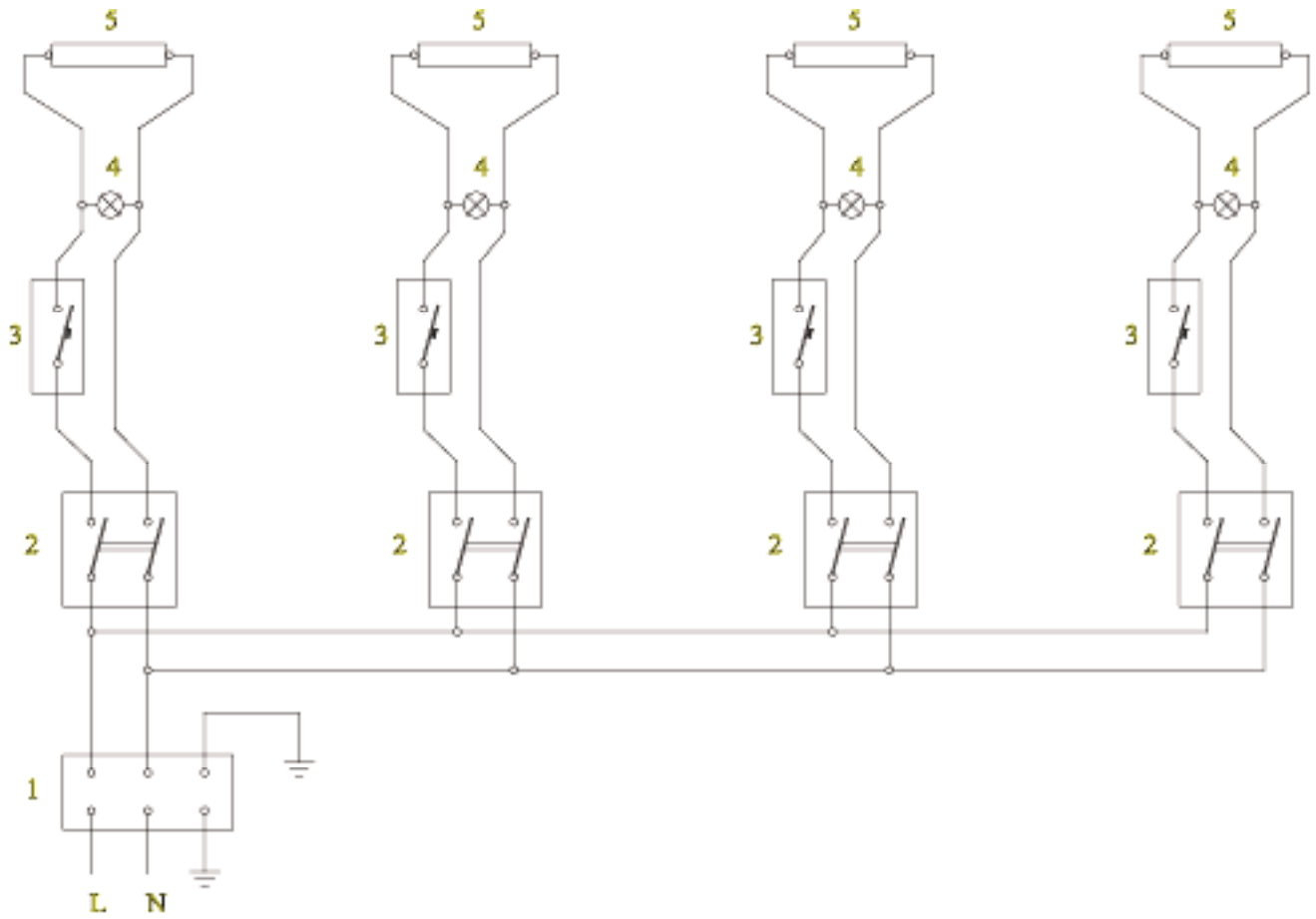
BMPD - 3120 CS(H)



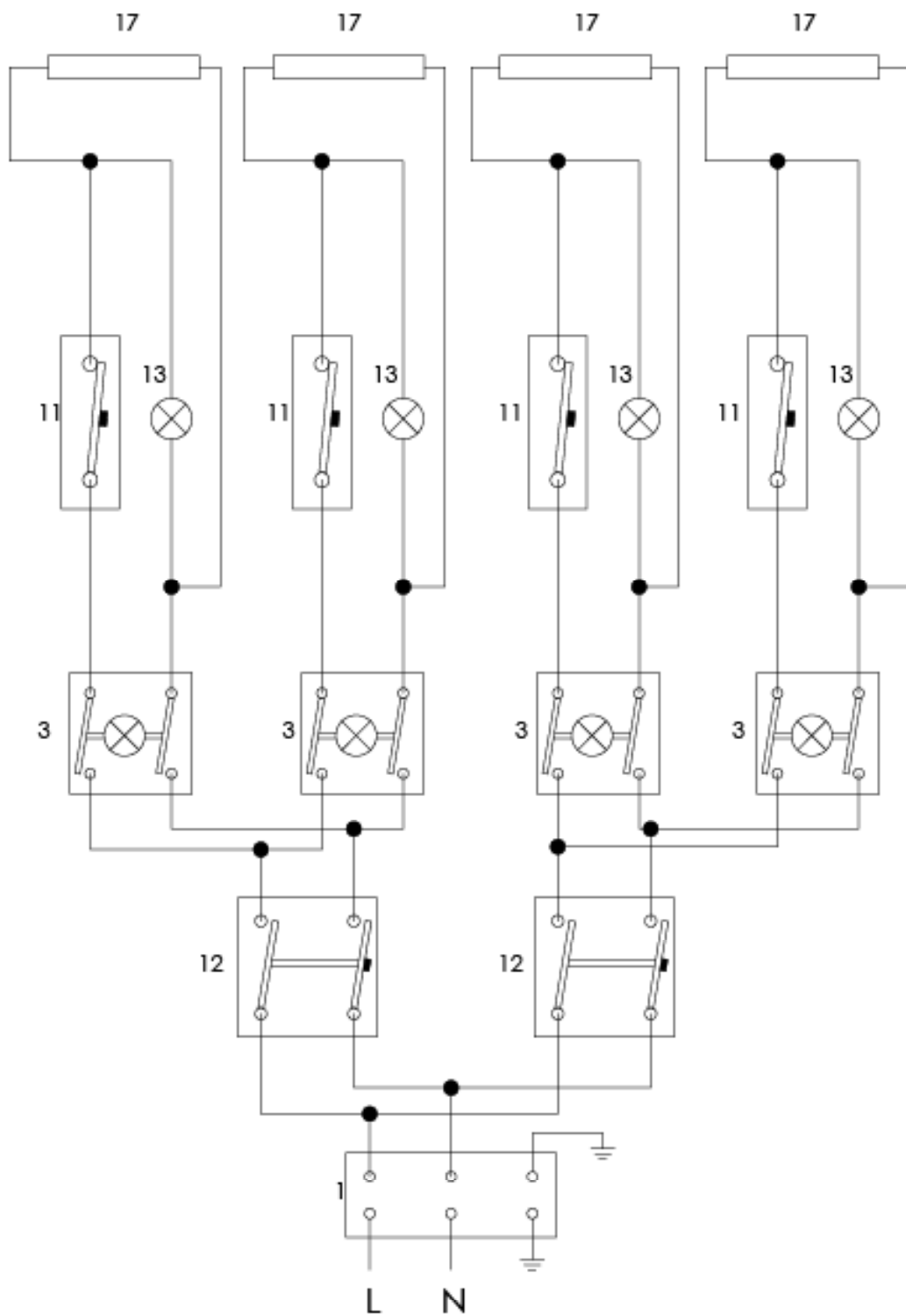




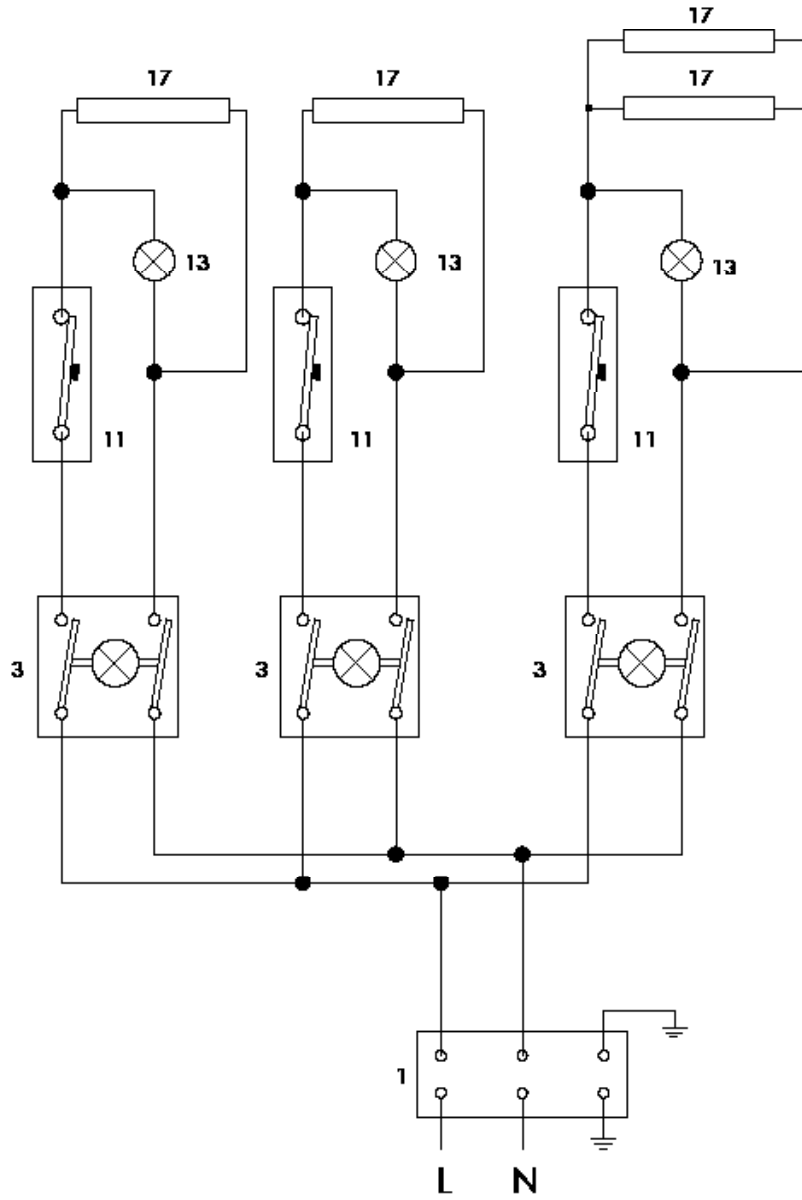
BM** - 4120



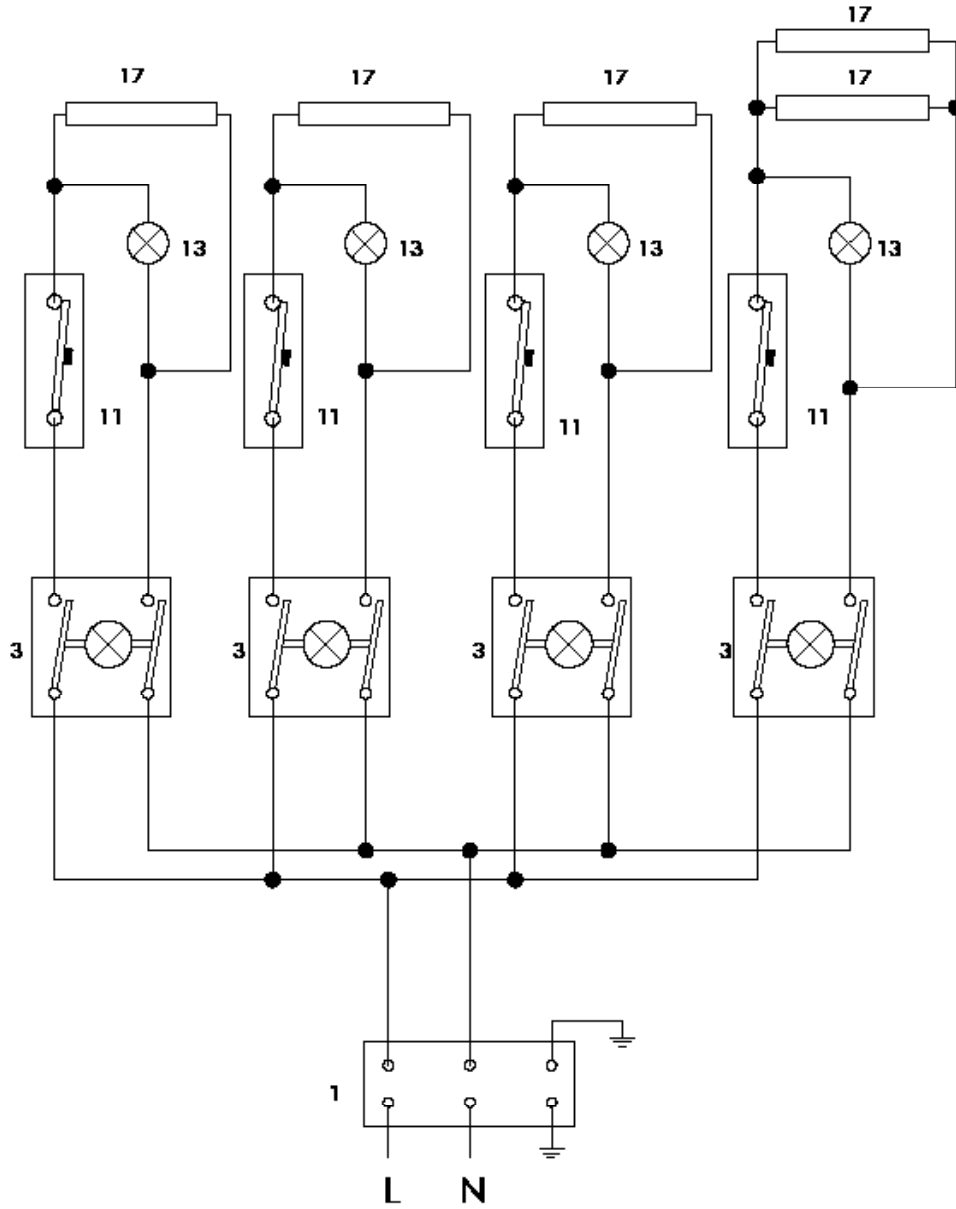
BM** - 4120



BM** - 2120 CSH



BM** - 3120 CSH



1	ТЕРМИНАЛ
2	ПЕРЕКЛЮЧАТЕЛЬ О / I
3	ВЫКЛЮЧАТЕЛЬ С ПОДСВЕТКОЙ О / I
4	ПЕРЕКЛЮЧАТЕЛЬ ПОВОРОТНЫЙ
5	КНОПочНЫЕ ПЕРЕКЛЮЧАТЕЛИ
6	КОНЕЧНОГО ВЫКЛЮЧАТЕЛЯ
7	MICROSWITCH
8	РЕЛЕ
9	КОНТАКТЫ РЕЛЕ
10	TIMER
11	РАБОЧИЙ ТЕРМОСТАТ
12	ЗАЩИТНЫЙ ТЕРМОСТАТ
13	ORANGE
14	ЗЕЛЕНый СВЕТ
15	ДИОД
16	ВНУТРЕННЕГО ОСВЕЩЕНИЯ
17	НАГРЕВАТЕЛЬНЫЙ ЭЛЕМЕНТ
18	ЭЛЕКТРИЧЕСКАЯ ПЛИТКА
19	ТРАНСФОРМАТОР
20	FUSE
20	RHEOSTAT
22	ТЕРМОПАРЫ
23	ДАТЧИК
24	МОТОР ПОДЪЕМА
25	MOTOR FANS
26	НАЧИНАЯ КОНДЕНСАТОР
27	SPARK PLUG
28	ГАЗОВЫЙ КЛАПАН (SIT)
29	SOCKET
30	ЦИФРОВОЙ ТЕРМОМЕТР
31	БЛОК УПРАВЛЕНИЯ

List of service organizations:

CZ: RM GASTRO CZ s. r. o., Náchodská 818/16, Praha 9

Tel. +420 281 926 604, info@rmgastro.cz, www.rmgastro.cz

SK: RM Gastro Slovakia, Rybárska 1, Nové Město nad Váhom

Tel.: +421 32 7717061, obchod@rmgastro.sk, www.rmgastro.sk

PL: RM GASTRO Polska Sp. z o. o., ul. Skoczowska 94, 43-450 Ustroń

Tel.: +33 854 73 26, www.rmgastro.pl